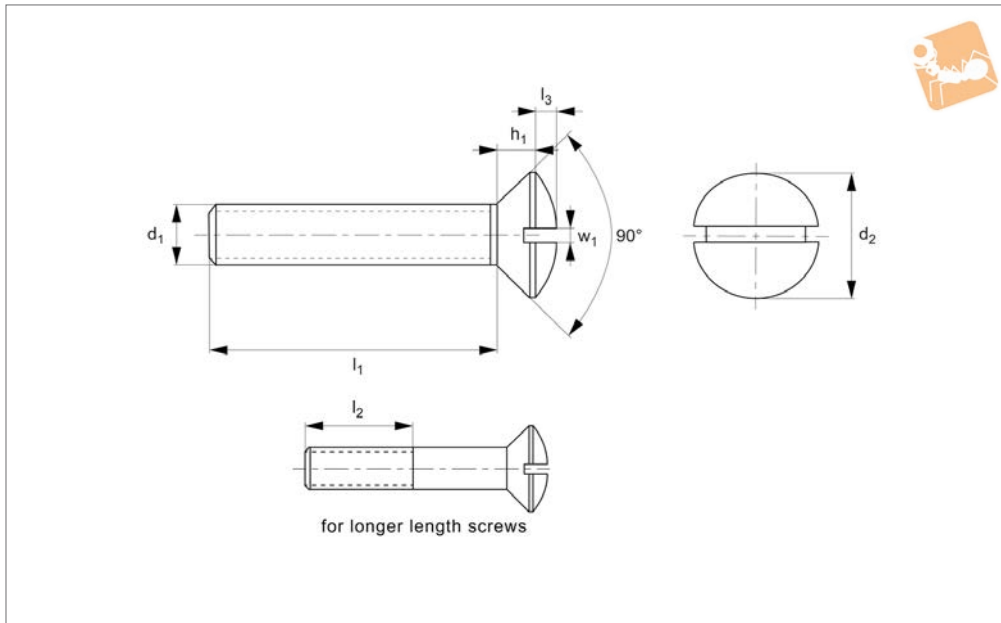




Slot Raised Countersunk Screws

Slot raised - A2 stainless

Standard Screws



P0228.A2

STANDARD SCREWS

Material

Stainless steel A2.

lengths the threads goes all the way to the head of the screw (i.e. $l_1 = l_2$) less 2.5 thread pitches.

portion $l_2 < l_1$.

Technical Notes

To DIN 964. For the majority of screw

For longer length screws the threaded

See technical page for tightening torques.

Order No.	d_1	l_1	d_2	l_2	l_3	h_1	w_1
P0228.020-004-A2	M 2	4	3	-	0.32	1.20	0.4
P0228.020-005-A2	M 2	5	3	-	0.32	1.20	0.4
P0228.020-006-A2	M 2	6	3	-	0.32	1.20	0.4
P0228.020-008-A2	M 2	8	3	-	0.32	1.20	0.4
P0228.020-010-A2	M 2	10	3	-	0.32	1.20	0.4
P0228.020-012-A2	M 2	12	3	-	0.32	1.20	0.4
P0228.020-014-A2	M 2	14	3	-	0.32	1.20	0.4
P0228.020-016-A2	M 2	16	3	15	0.32	1.20	0.4
P0228.020-018-A2	M 2	18	3	15	0.32	1.20	0.4
P0228.020-020-A2	M 2	20	3	15	0.32	1.20	0.4
P0228.025-004-A2	M2,5	5	3.8	-	0.4	1.2	0.5
P0228.025-005-A2	M2,5	6	3.8	-	0.4	1.2	0.5
P0228.025-006-A2	M2,5	8	3.8	-	0.4	1.2	0.5
P0228.025-008-A2	M2,5	10	3.8	-	0.4	1.2	0.5
P0228.025-010-A2	M2,5	12	3.8	-	0.4	1.2	0.5
P0228.025-012-A2	M2,5	14	3.8	-	0.4	1.2	0.5
P0228.025-014-A2	M2,5	16	3.8	16	0.4	1.2	0.5
P0228.025-016-A2	M2,5	18	3.8	16	0.4	1.2	0.5
P0228.025-018-A2	M2,5	20	3.8	16	0.4	1.2	0.5
P0228.030-005-A2	M 3	5	4.7	-	0.5	1.5	0.6
P0228.030-006-A2	M 3	6	4.7	-	0.5	1.5	0.6
P0228.030-008-A2	M 3	8	4.7	-	0.5	1.5	0.6
P0228.030-010-A2	M 3	10	4.7	-	0.5	1.5	0.6
P0228.030-012-A2	M 3	12	4.7	-	0.5	1.5	0.6
P0228.030-014-A2	M 3	14	4.7	-	0.5	1.5	0.6
P0228.030-016-A2	M 3	16	4.7	-	0.5	1.5	0.6
P0228.030-018-A2	M 3	18	4.7	-	0.5	1.5	0.6
P0228.030-020-A2	M 3	20	4.7	18	0.5	1.5	0.6
P0228.030-022-A2	M 3	22	4.7	18	0.5	1.5	0.6
P0228.030-025-A2	M 3	25	4.7	18	0.5	1.5	0.6
P0228.030-030-A2	M 3	30	4.7	18	0.5	1.5	0.6
P0228.030-035-A2	M 3	35	4.7	18	0.5	1.5	0.6
P0228.030-040-A2	M 3	40	4.7	18	0.5	1.5	0.6
P0228.030-045-A2	M 3	45	4.7	18	0.5	1.5	0.6



STANDARD SCREWS

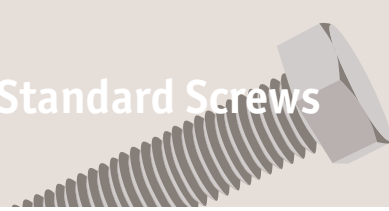
Order No.	d ₁	l ₁	d ₂	l ₂	l ₃	h ₁	w ₁
P0228.030-050-A2	M 3	50	4.7	18	0.5	1.5	0.6
P0228.040-005-A2	M 4	5	7.5	-	0.8	2.2	1.0
P0228.040-006-A2	M 4	6	7.5	-	0.8	2.2	1.0
P0228.040-008-A2	M 4	8	7.5	-	0.8	2.2	1.0
P0228.040-010-A2	M 4	10	7.5	-	0.8	2.2	1.0
P0228.040-012-A2	M 4	12	7.5	-	0.8	2.2	1.0
P0228.040-014-A2	M 4	14	7.5	-	0.8	2.2	1.0
P0228.040-016-A2	M 4	16	7.5	-	0.8	2.2	1.0
P0228.040-018-A2	M 4	18	7.5	-	0.8	2.2	1.0
P0228.040-020-A2	M 4	20	7.5	-	0.8	2.2	1.0
P0228.040-022-A2	M 4	22	7.5	22	0.8	2.2	1.0
P0228.040-025-A2	M 4	25	7.5	22	0.8	2.2	1.0
P0228.040-030-A2	M 4	30	7.5	22	0.8	2.2	1.0
P0228.040-035-A2	M 4	35	7.5	22	0.8	2.2	1.0
P0228.040-040-A2	M 4	40	7.5	22	0.8	2.2	1.0
P0228.040-045-A2	M 4	45	7.5	22	0.8	2.2	1.0
P0228.040-050-A2	M 4	50	7.5	22	0.8	2.2	1.0
P0228.040-055-A2	M 4	55	7.5	22	0.8	2.2	1.0
P0228.040-060-A2	M 4	60	7.5	22	0.8	2.2	1.0
P0228.040-065-A2	M 4	65	7.5	22	0.8	2.2	1.0
P0228.040-070-A2	M 4	70	7.5	22	0.8	2.2	1.0
P0228.040-075-A2	M 4	75	7.5	22	0.8	2.2	1.0
P0228.040-080-A2	M 4	80	7.5	22	0.8	2.2	1.0
P0228.050-006-A2	M 5	6	9.2	-	1.0	2.5	1.2
P0228.050-008-A2	M 5	8	9.2	-	1.0	2.5	1.2
P0228.050-010-A2	M 5	10	9.2	-	1.0	2.5	1.2
P0228.050-012-A2	M 5	12	9.2	-	1.0	2.5	1.2
P0228.050-014-A2	M 5	14	9.2	-	1.0	2.5	1.2
P0228.050-016-A2	M 5	16	9.2	-	1.0	2.5	1.2
P0228.050-018-A2	M 5	18	9.2	-	1.0	2.5	1.2
P0228.050-020-A2	M 5	20	9.2	-	1.0	2.5	1.2
P0228.050-022-A2	M 5	22	9.2	-	1.0	2.5	1.2
P0228.050-025-A2	M 5	25	9.2	25	1.0	2.5	1.2
P0228.050-030-A2	M 5	30	9.2	25	1.0	2.5	1.2
P0228.050-035-A2	M 5	35	9.2	25	1.0	2.5	1.2
P0228.050-040-A2	M 5	40	9.2	25	1.0	2.5	1.2
P0228.050-045-A2	M 5	45	9.2	25	1.0	2.5	1.2
P0228.050-050-A2	M 5	50	9.2	25	1.0	2.5	1.2
P0228.050-055-A2	M 5	55	9.2	25	1.0	2.5	1.2
P0228.050-060-A2	M 5	60	9.2	25	1.0	2.5	1.2
P0228.050-065-A2	M 5	65	9.2	25	1.0	2.5	1.2
P0228.050-070-A2	M 5	70	9.2	25	1.0	2.5	1.2
P0228.050-075-A2	M 5	75	9.2	25	1.0	2.5	1.2
P0228.050-080-A2	M 5	80	9.2	25	1.0	2.5	1.2
P0228.050-090-A2	M 5	90	9.2	25	1.0	2.5	1.2
P0228.050-095-A2	M 5	95	9.2	25	1.0	2.5	1.2
P0228.050-100-A2	M 5	100	9.2	25	1.0	2.5	1.2
P0228.060-008-A2	M 6	8	11	-	1.2	3.0	1.6
P0228.060-010-A2	M 6	10	11	-	1.2	3.0	1.6
P0228.060-012-A2	M 6	12	11	-	1.2	3.0	1.6
P0228.060-014-A2	M 6	14	11	-	1.2	3.0	1.6
P0228.060-016-A2	M 6	16	11	-	1.2	3.0	1.6
P0228.060-018-A2	M 6	18	11	-	1.2	3.0	1.6
P0228.060-020-A2	M 6	20	11	-	1.2	3.0	1.6
P0228.060-022-A2	M 6	22	11	-	1.2	3.0	1.6
P0228.060-025-A2	M 6	25	11	-	1.2	3.0	1.6
P0228.060-030-A2	M 6	30	11	28	1.2	3.0	1.6
P0228.060-035-A2	M 6	35	11	28	1.2	3.0	1.6
P0228.060-040-A2	M 6	40	11	28	1.2	3.0	1.6
P0228.060-045-A2	M 6	45	11	28	1.2	3.0	1.6
P0228.060-050-A2	M 6	50	11	28	1.2	3.0	1.6
P0228.060-055-A2	M 6	55	11	28	1.2	3.0	1.6
P0228.060-060-A2	M 6	60	11	28	1.2	3.0	1.6
P0228.060-065-A2	M 6	65	11	28	1.2	3.0	1.6
P0228.060-070-A2	M 6	70	11	28	1.2	3.0	1.6
P0228.060-075-A2	M 6	75	11	28	1.2	3.0	1.6
P0228.060-080-A2	M 6	80	11	28	1.2	3.0	1.6
P0228.060-090-A2	M 6	90	11	28	1.2	3.0	1.6
P0228.060-095-A2	M 6	95	11	28	1.2	3.0	1.6



Slot Raised Countersunk Screws

Slot raised - A2 stainless

Standard Screws



Order No.	d ₁	l ₁	d ₂	l ₂	l ₃	h ₁	w ₁
P0228.060-100-A2	M 6	100	11	28	1.2	3.0	1.6
P0228.080-010-A2	M 8	10	14.5	-	1.6	4.0	2.0
P0228.080-012-A2	M 8	12	14.5	-	1.6	4.0	2.0
P0228.080-014-A2	M 8	14	14.5	-	1.6	4.0	2.0
P0228.080-016-A2	M 8	16	14.5	-	1.6	4.0	2.0
P0228.080-018-A2	M 8	18	14.5	-	1.6	4.0	2.0
P0228.080-020-A2	M 8	20	14.5	-	1.6	4.0	2.0
P0228.080-022-A2	M 8	22	14.5	-	1.6	4.0	2.0
P0228.080-025-A2	M 8	25	14.5	-	1.6	4.0	2.0
P0228.080-030-A2	M 8	30	14.5	-	1.6	4.0	2.0
P0228.080-035-A2	M 8	35	14.5	34	1.6	4.0	2.0
P0228.080-040-A2	M 8	40	14.5	34	1.6	4.0	2.0
P0228.080-045-A2	M 8	45	14.5	34	1.6	4.0	2.0
P0228.080-050-A2	M 8	50	14.5	34	1.6	4.0	2.0
P0228.080-055-A2	M 8	55	14.5	34	1.6	4.0	2.0
P0228.080-060-A2	M 8	60	14.5	34	1.6	4.0	2.0
P0228.080-065-A2	M 8	65	14.5	34	1.6	4.0	2.0
P0228.080-070-A2	M 8	70	14.5	34	1.6	4.0	2.0
P0228.080-075-A2	M 8	75	14.5	34	1.6	4.0	2.0
P0228.080-080-A2	M 8	80	14.5	34	1.6	4.0	2.0
P0228.080-090-A2	M 8	90	14.5	34	1.6	4.0	2.0
P0228.080-095-A2	M 8	95	14.5	34	1.6	4.0	2.0
P0228.080-100-A2	M 8	100	14.5	34	1.6	4.0	2.0
P0228.100-020-A2	M10	20	18.0	-	2.0	5.0	2.5
P0228.100-022-A2	M10	22	18.0	-	2.0	5.0	2.5
P0228.100-025-A2	M10	25	18.0	-	2.0	5.0	2.5
P0228.100-030-A2	M10	30	18.0	-	2.0	5.0	2.5
P0228.100-035-A2	M10	35	18.0	-	2.0	5.0	2.5
P0228.100-040-A2	M10	40	18.0	40	2.0	5.0	2.5
P0228.100-045-A2	M10	45	18.0	40	2.0	5.0	2.5
P0228.100-050-A2	M10	50	18.0	40	2.0	5.0	2.5
P0228.100-055-A2	M10	55	18.0	40	2.0	5.0	2.5
P0228.100-060-A2	M10	60	18.0	40	2.0	5.0	2.5
P0228.100-065-A2	M10	65	18.0	40	2.0	5.0	2.5
P0228.100-070-A2	M10	70	18.0	40	2.0	5.0	2.5
P0228.100-075-A2	M10	75	18.0	40	2.0	5.0	2.5
P0228.100-080-A2	M10	80	18.0	40	2.0	5.0	2.5
P0228.100-090-A2	M10	90	18.0	40	2.0	5.0	2.5
P0228.100-095-A2	M10	95	18.0	40	2.0	5.0	2.5
P0228.100-100-A2	M10	100	18.0	40	2.0	5.0	2.5

STANDARD SCREWS