

Slot Pan Head Screws

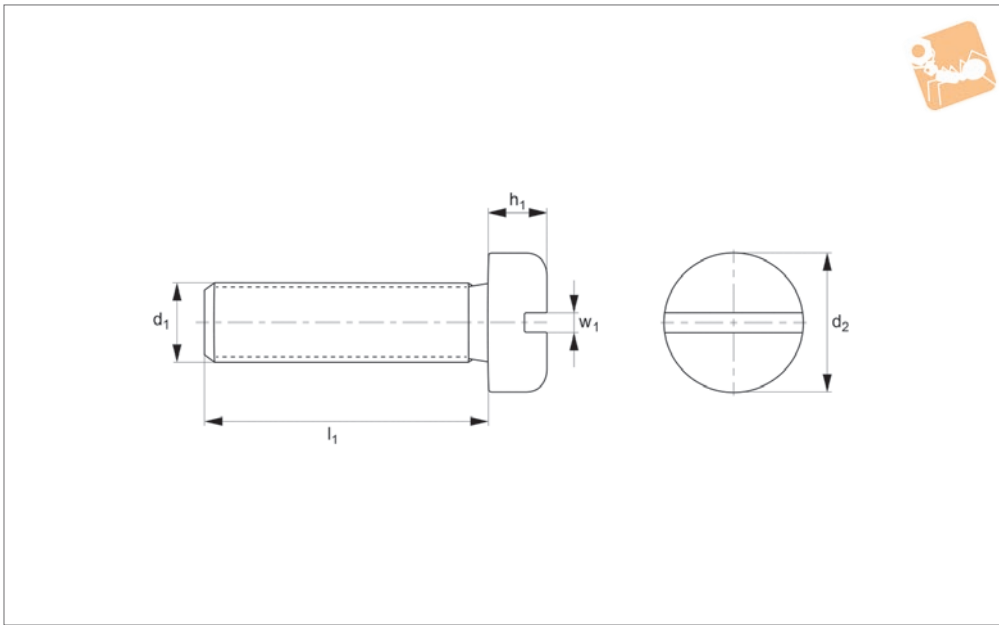
Slot - steel, zinc-plated

Standard Screws



P0230.ZP

STANDARD SCREWS



Material

Steel, zinc-plated (grade 4.8).

Technical Notes

To DIN 85, ISO 1580. Threaded within 2,5 x pitch of head.

Order No.	d ₁	l ₁	d ₂	h ₁	w ₁
P0230.016-005-ZP	M1,6	5	3.2	1.0	0.4
P0230.016-006-ZP	M1,6	6	3.2	1.0	0.4
P0230.016-008-ZP	M1,6	8	3.2	1.0	0.4
P0230.016-010-ZP	M1,6	10	3.2	1.0	0.4
P0230.020-003-ZP	M 2	3	4	1.3	0.5
P0230.020-004-ZP	M 2	4	4	1.3	0.5
P0230.020-005-ZP	M 2	5	4	1.3	0.5
P0230.020-006-ZP	M 2	6	4	1.3	0.5
P0230.020-008-ZP	M 2	8	4	1.3	0.5
P0230.020-010-ZP	M 2	10	4	1.3	0.5
P0230.020-012-ZP	M 2	12	4	1.3	0.5
P0230.020-016-ZP	M 2	16	4	1.3	0.5
P0230.020-020-ZP	M 2	20	4	1.3	0.5
P0230.025-003-ZP	M2,5	3	5	1.5	0.6
P0230.025-004-ZP	M2,5	4	5	1.5	0.6
P0230.025-005-ZP	M2,5	5	5	1.5	0.6
P0230.025-006-ZP	M2,5	6	5	1.5	0.6
P0230.025-008-ZP	M2,5	8	5	1.5	0.6
P0230.025-010-ZP	M2,5	10	5	1.5	0.6
P0230.025-012-ZP	M2,5	12	5	1.5	0.6
P0230.025-016-ZP	M2,5	16	5	1.5	0.6
P0230.025-020-ZP	M2,5	20	5	1.5	0.6
P0230.025-025-ZP	M2,5	25	5	1.5	0.6
P0230.030-003-ZP	M 3	3	6	1.8	0.8
P0230.030-004-ZP	M 3	4	6	1.8	0.8
P0230.030-005-ZP	M 3	5	6	1.8	0.8
P0230.030-006-ZP	M 3	6	6	1.8	0.8
P0230.030-008-ZP	M 3	8	6	1.8	0.8
P0230.030-010-ZP	M 3	10	6	1.8	0.8
P0230.030-012-ZP	M 3	12	6	1.8	0.8
P0230.030-014-ZP	M 3	14	6	1.8	0.8
P0230.030-016-ZP	M 3	16	6	1.8	0.8
P0230.030-018-ZP	M 3	18	6	1.8	0.8
P0230.030-020-ZP	M 3	20	6	1.8	0.8
P0230.030-022-ZP	M 3	22	6	1.8	0.8



STANDARD SCREWS

Order No.	d ₁	l ₁	d ₂	h ₁	w ₁
P0230.030-025-ZP	M 3	25	6	1.8	0.8
P0230.030-028-ZP	M 3	28	6	1.8	0.8
P0230.030-030-ZP	M 3	30	6	1.8	0.8
P0230.030-035-ZP	M 3	35	6	1.8	0.8
P0230.030-040-ZP	M 3	40	6	1.8	0.8
P0230.030-045-ZP	M 3	45	6	1.8	0.8
P0230.030-050-ZP	M 3	50	6	1.8	0.8
P0230.035-005-ZP	M3,5	5	7	2.1	1.0
P0230.035-006-ZP	M3,5	6	7	2.1	1.0
P0230.035-008-ZP	M3,5	8	7	2.1	1.0
P0230.035-010-ZP	M3,5	10	7	2.1	1.0
P0230.035-012-ZP	M3,5	12	7	2.1	1.0
P0230.035-016-ZP	M3,5	16	7	2.1	1.0
P0230.035-020-ZP	M3,5	20	7	2.1	1.0
P0230.035-025-ZP	M3,5	25	7	2.1	1.0
P0230.035-030-ZP	M3,5	30	7	2.1	1.0
P0230.035-035-ZP	M3,5	35	7	2.1	1.0
P0230.035-040-ZP	M3,5	40	7	2.1	1.0
P0230.035-050-ZP	M3,5	50	7	2.1	1.0
P0230.040-005-ZP	M 4	5	8	2.4	1.2
P0230.040-006-ZP	M 4	6	8	2.4	1.2
P0230.040-008-ZP	M 4	8	8	2.4	1.2
P0230.040-010-ZP	M 4	10	8	2.4	1.2
P0230.040-012-ZP	M 4	12	8	2.4	1.2
P0230.040-014-ZP	M 4	14	8	2.4	1.2
P0230.040-016-ZP	M 4	16	8	2.4	1.2
P0230.040-018-ZP	M 4	18	8	2.4	1.2
P0230.040-020-ZP	M 4	20	8	2.4	1.2
P0230.040-022-ZP	M 4	22	8	2.4	1.2
P0230.040-025-ZP	M 4	25	8	2.4	1.2
P0230.040-028-ZP	M 4	28	8	2.4	1.2
P0230.040-030-ZP	M 4	30	8	2.4	1.2
P0230.040-035-ZP	M 4	35	8	2.4	1.2
P0230.040-040-ZP	M 4	40	8	2.4	1.2
P0230.040-045-ZP	M 4	45	8	2.4	1.2
P0230.040-050-ZP	M 4	50	8	2.4	1.2
P0230.040-055-ZP	M 4	55	8	2.4	1.2
P0230.040-060-ZP	M 4	60	8	2.4	1.2
P0230.050-006-ZP	M 5	6	10	3.0	1.2
P0230.050-008-ZP	M 5	8	10	3.0	1.2
P0230.050-010-ZP	M 5	10	10	3.0	1.2
P0230.050-012-ZP	M 5	12	10	3.0	1.2
P0230.050-014-ZP	M 5	14	10	3.0	1.2
P0230.050-016-ZP	M 5	16	10	3.0	1.2
P0230.050-018-ZP	M 5	18	10	3.0	1.2
P0230.050-020-ZP	M 5	20	10	3.0	1.2
P0230.050-022-ZP	M 5	22	10	3.0	1.2
P0230.050-025-ZP	M 5	25	10	3.0	1.2
P0230.050-030-ZP	M 5	30	10	3.0	1.2
P0230.050-035-ZP	M 5	35	10	3.0	1.2
P0230.050-040-ZP	M 5	40	10	3.0	1.2
P0230.050-045-ZP	M 5	45	10	3.0	1.2
P0230.050-050-ZP	M 5	50	10	3.0	1.2
P0230.050-055-ZP	M 5	55	10	3.0	1.2
P0230.050-060-ZP	M 5	60	10	3.0	1.2
P0230.050-065-ZP	M 5	65	10	3.0	1.2
P0230.050-070-ZP	M 5	70	10	3.0	1.2
P0230.050-075-ZP	M 5	75	10	3.0	1.2
P0230.050-080-ZP	M 5	80	10	3.0	1.2
P0230.050-090-ZP	M 5	90	10	3.0	1.2
P0230.050-100-ZP	M 5	100	10	3.0	1.2
P0230.060-008-ZP	M 6	8	12	3.6	1.6
P0230.060-010-ZP	M 6	10	12	3.6	1.6
P0230.060-012-ZP	M 6	12	12	3.6	1.6
P0230.060-014-ZP	M 6	14	12	3.6	1.6
P0230.060-016-ZP	M 6	16	12	3.6	1.6
P0230.060-018-ZP	M 6	18	12	3.6	1.6
P0230.060-020-ZP	M 6	20	12	3.6	1.6
P0230.060-022-ZP	M 6	22	12	3.6	1.6



Slot Pan Head Screws

Slot - steel, zinc-plated

Standard Screws



Order No.	d ₁	l ₁	d ₂	h ₁	w ₁
P0230.060-025-ZP	M 6	25	12	3.6	1.6
P0230.060-028-ZP	M 6	28	12	3.6	1.6
P0230.060-030-ZP	M 6	30	12	3.6	1.6
P0230.060-035-ZP	M 6	35	12	3.6	1.6
P0230.060-040-ZP	M 6	40	12	3.6	1.6
P0230.060-045-ZP	M 6	45	12	3.6	1.6
P0230.060-050-ZP	M 6	50	12	3.6	1.6
P0230.060-055-ZP	M 6	55	12	3.6	1.6
P0230.060-060-ZP	M 6	60	12	3.6	1.6
P0230.060-065-ZP	M 6	65	12	3.6	1.6
P0230.060-070-ZP	M 6	70	12	3.6	1.6
P0230.060-075-ZP	M 6	75	12	3.6	1.6
P0230.060-080-ZP	M 6	80	12	3.6	1.6
P0230.060-090-ZP	M 6	90	12	3.6	1.6
P0230.060-100-ZP	M 6	100	12	3.6	1.6
P0230.080-008-ZP	M 8	8	16	4.8	2.0
P0230.080-010-ZP	M 8	10	16	4.8	2.0
P0230.080-012-ZP	M 8	12	16	4.8	2.0
P0230.080-016-ZP	M 8	16	16	4.8	2.0
P0230.080-020-ZP	M 8	20	16	4.8	2.0
P0230.080-025-ZP	M 8	25	16	4.8	2.0
P0230.080-030-ZP	M 8	30	16	4.8	2.0
P0230.080-035-ZP	M 8	35	16	4.8	2.0
P0230.080-040-ZP	M 8	40	16	4.8	2.0
P0230.080-045-ZP	M 8	45	16	4.8	2.0
P0230.080-050-ZP	M 8	50	16	4.8	2.0
P0230.080-055-ZP	M 8	55	16	4.8	2.0
P0230.080-060-ZP	M 8	60	16	4.8	2.0
P0230.080-065-ZP	M 8	65	16	4.8	2.0
P0230.080-070-ZP	M 8	70	16	4.8	2.0
P0230.080-075-ZP	M 8	75	16	4.8	2.0
P0230.080-080-ZP	M 8	80	16	4.8	2.0
P0230.080-090-ZP	M 8	90	16	4.8	2.0
P0230.080-100-ZP	M 8	100	16	4.8	2.0
P0230.100-016-ZP	M10	16	20	6	2.5
P0230.100-020-ZP	M10	20	20	6	2.5
P0230.100-025-ZP	M10	25	20	6	2.5
P0230.100-030-ZP	M10	30	20	6	2.5
P0230.100-035-ZP	M10	35	20	6	2.5
P0230.100-040-ZP	M10	40	20	6	2.5
P0230.100-045-ZP	M10	45	20	6	2.5
P0230.100-050-ZP	M10	50	20	6	2.5
P0230.100-055-ZP	M10	55	20	6	2.5
P0230.100-060-ZP	M10	60	20	6	2.5
P0230.100-065-ZP	M10	65	20	6	2.5
P0230.100-070-ZP	M10	70	20	6	2.5
P0230.100-080-ZP	M10	80	20	6	2.5
P0230.100-090-ZP	M10	90	20	6	2.5
P0230.100-100-ZP	M10	100	20	6	2.5

STANDARD SCREWS