

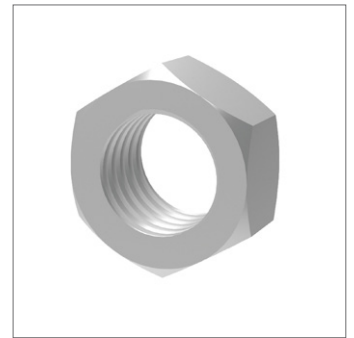
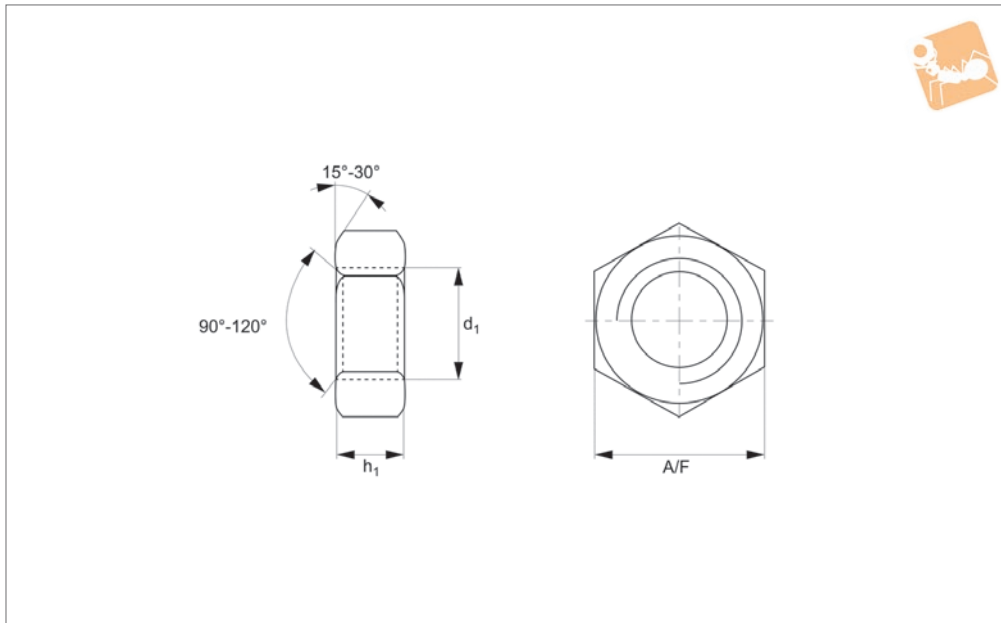


Full Nuts Coarse Thread

Steel, zinc-plated



Nuts



P0301.ZP

NUTS

Material

Steel (class 8), zinc plated.

threads.

For fine thread full nuts see P0302.

Technical Notes

To DIN 934. Standard metric coarse pitch

Order No.	d ₁	h ₁ min.	A/F	Material
P0301.020-ZP	M 2	1.35	4	Steel ZP
P0301.025-ZP	M2,5	1.75	5	Steel ZP
P0301.030-ZP	M 3	2.15	5.5	Steel ZP
P0301.035-ZP	M3,5	2.55	6	Steel ZP
P0301.040-ZP	M 4	2.9	7	Steel ZP
P0301.050-ZP	M 5	3.7	8	Steel ZP
P0301.060-ZP	M 6	4.7	10	Steel ZP
P0301.080-ZP	M 8	6.14	13	Steel ZP
P0301.100-ZP	M10	7.64	17	Steel ZP
P0301.120-ZP	M12	9.64	19	Steel ZP
P0301.140-ZP	M14	10.3	22	Steel ZP
P0301.160-ZP	M16	12.3	24	Steel ZP
P0301.180-ZP	M18	14.3	27	Steel ZP
P0301.200-ZP	M20	14.9	30	Steel ZP
P0301.220-ZP	M22	16.9	32	Steel ZP
P0301.240-ZP	M24	17.7	36	Steel ZP
P0301.300-ZP	M30	22.7	46	Steel ZP
P0301.330-ZP	M33	24.7	50	Steel ZP
P0301.360-ZP	M36	27.4	55	Steel ZP
P0301.420-ZP	M42	32.4	65	Steel ZP
P0301.480-ZP	M48	36.4	75	Steel ZP
P0301.520-ZP	M52	42	80	Steel ZP
P0301.560-ZP	M56	45	85	Steel ZP
P0301.600-ZP	M60	48	90	Steel ZP
P0301.640-ZP	M64	51	95	Steel ZP
P0301.680-ZP	M68	54	100	Steel ZP
P0301.720-ZP	M72x6,0	58	105	Steel ZP
P0301.800-ZP	M80x6,0	64	115	Steel ZP