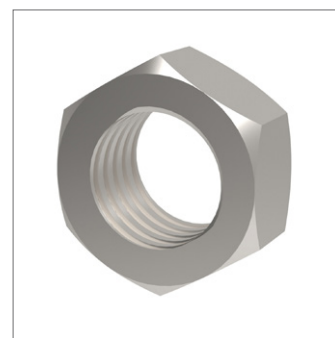
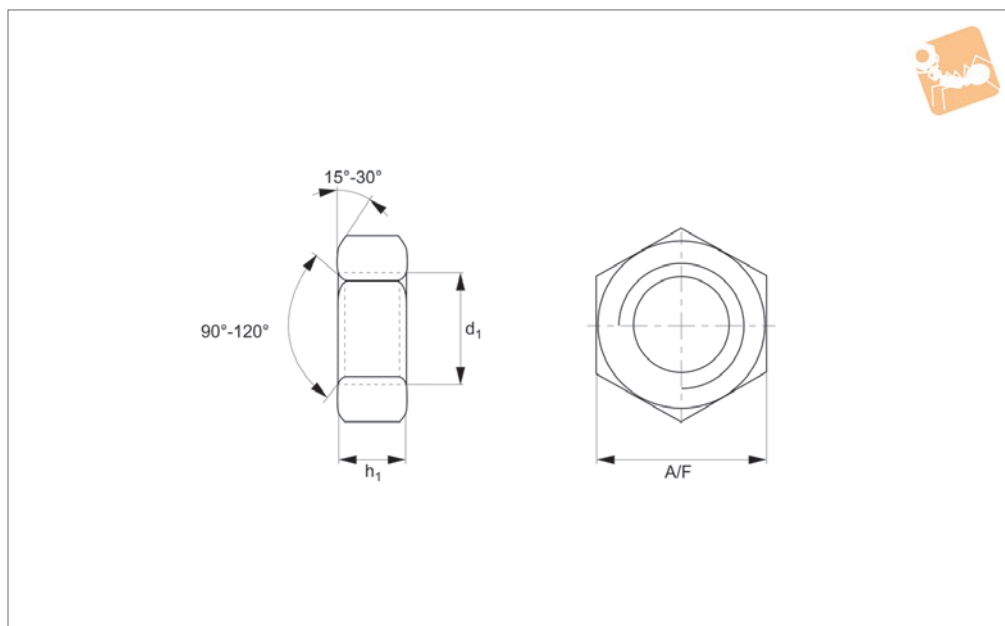
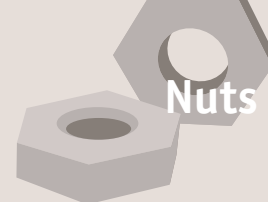


Full Nuts Fine Thread

A2 stainless



P0302.A2

NUTS

Material

Stainless steel (A2).

Technical Notes

DIN 934. Fine pitch threads.
For coarse thread full nuts see P0301.

Order No.	d ₁	h ₁ min.	A/F	Material
P0302.080-100-A2	M08x1,0	6.14	13	A2 s/s
P0302.100-100-A2	M10x1,0	7.64	17	A2 s/s
P0302.100-125-A2	M10x1,25	7.64	17	A2 s/s
P0302.120-125-A2	M12x1,25	9.64	19	A2 s/s
P0302.120-150-A2	M12x1,5	9.64	19	A2 s/s
P0302.140-150-A2	M14x1,5	10.3	22	A2 s/s
P0302.160-150-A2	M16x1,5	12.3	24	A2 s/s
P0302.180-150-A2	M18x1,5	14.3	27	A2 s/s
P0302.200-150-A2	M20x1,5	14.9	30	A2 s/s
P0302.200-200-A2	M20x2,0	14.9	30	A2 s/s
P0302.220-150-A2	M22x1,5	16.9	32	A2 s/s
P0302.240-150-A2	M24x1,5	17.7	36	A2 s/s
P0302.240-200-A2	M24x2,0	17.7	36	A2 s/s
P0302.270-150-A2	M27x1,5	20.7	41	A2 s/s
P0302.270-200-A2	M27x2,0	20.7	41	A2 s/s
P0302.300-200-A2	M30x2,0	22.7	46	A2 s/s
P0302.300-150-A2	M30x1,5	22.7	46	A2 s/s
P0302.360-150-A2	M36x1,5	27.4	55	A2 s/s
P0302.360-300-A2	M36x3,0	27.4	55	A2 s/s