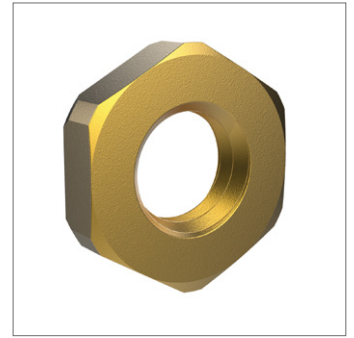
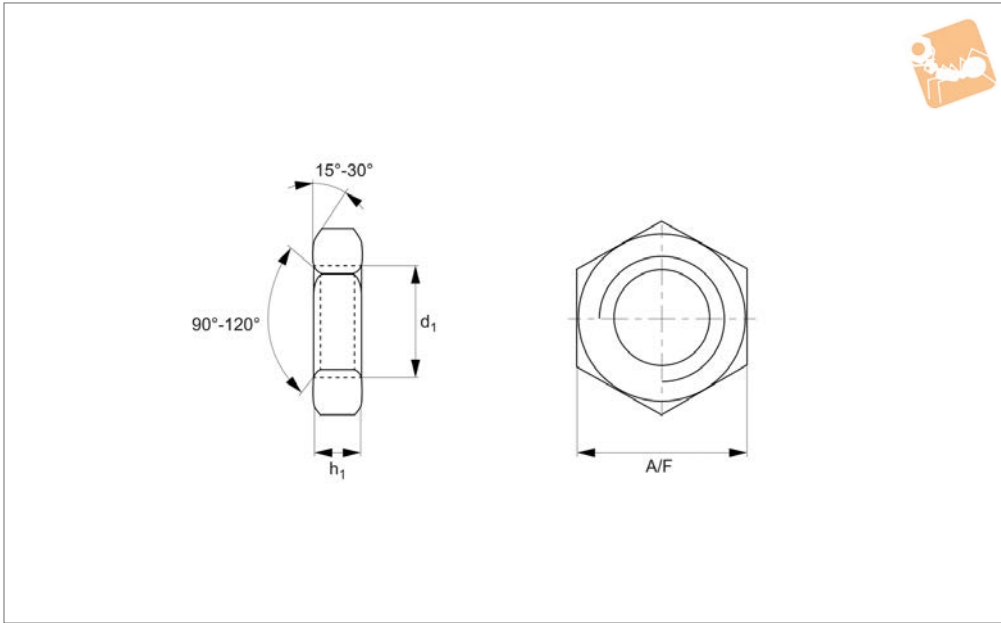




Hexagon thin nuts

unchamfered, DIN 439



P0305.BR

NUTS

Material

Brass, Cu3 (CuZn39Pb3).

Technical Notes

To DIN 439. Standard metric coarse pitch threads.