

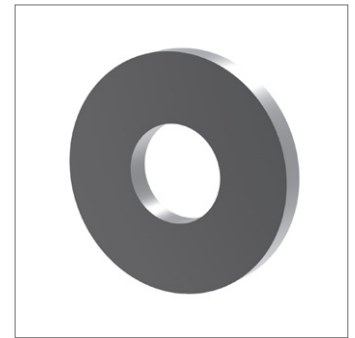
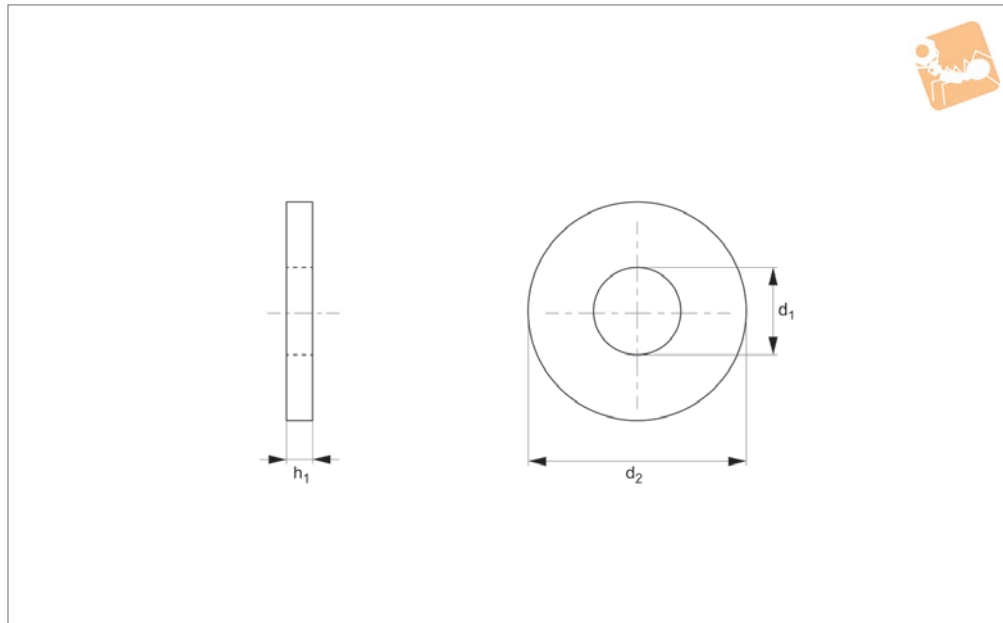


Flat Washers Form A

Steel, self-coloured



Flat Washers



P0330.SC

FLAT WASHERS

Material

Steel, self-colour.

Technical Notes

To DIN 125 A.

Order No.	For thread	d_1	d_2	h_1	Material
P0330.016-SC	M1,6	1.7	4	0.3	Steel SC
P0330.020-SC	M 2	2.2	5	0.3	Steel SC
P0330.023-SC	M2,3	2.5	6	0.5	Steel SC
P0330.025-SC	M2,5	2.7	6	0.5	Steel SC
P0330.030-SC	M 3	3.2	7	0.5	Steel SC
P0330.035-SC	M3,5	3.7	8	0.5	Steel SC
P0330.040-SC	M 4	4.3	9	0.8	Steel SC
P0330.050-SC	M 5	5.3	10	1.0	Steel SC
P0330.060-SC	M 6	6.4	12	1.6	Steel SC
P0330.070-SC	M 7	7.4	14	1.6	Steel SC
P0330.080-SC	M 8	8.4	16	1.6	Steel SC
P0330.100-SC	M10	10.5	20	2.0	Steel SC
P0330.120-SC	M12	13.0	24	2.5	Steel SC
P0330.140-SC	M14	15.0	28	2.5	Steel SC
P0330.160-SC	M16	17.0	30	3.0	Steel SC
P0330.180-SC	M18	19.0	34	3.0	Steel SC
P0330.200-SC	M20	21.0	37	3.0	Steel SC
P0330.220-SC	M22	23.0	39	3.0	Steel SC
P0330.240-SC	M24	25.0	44	4.0	Steel SC
P0330.270-SC	M27	28.0	50	4.0	Steel SC
P0330.300-SC	M30	31.0	56	4.0	Steel SC