

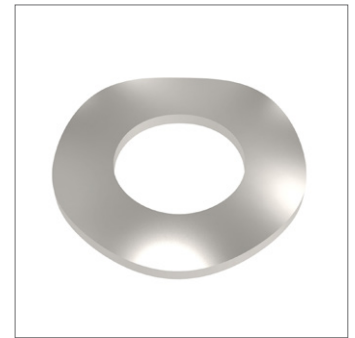
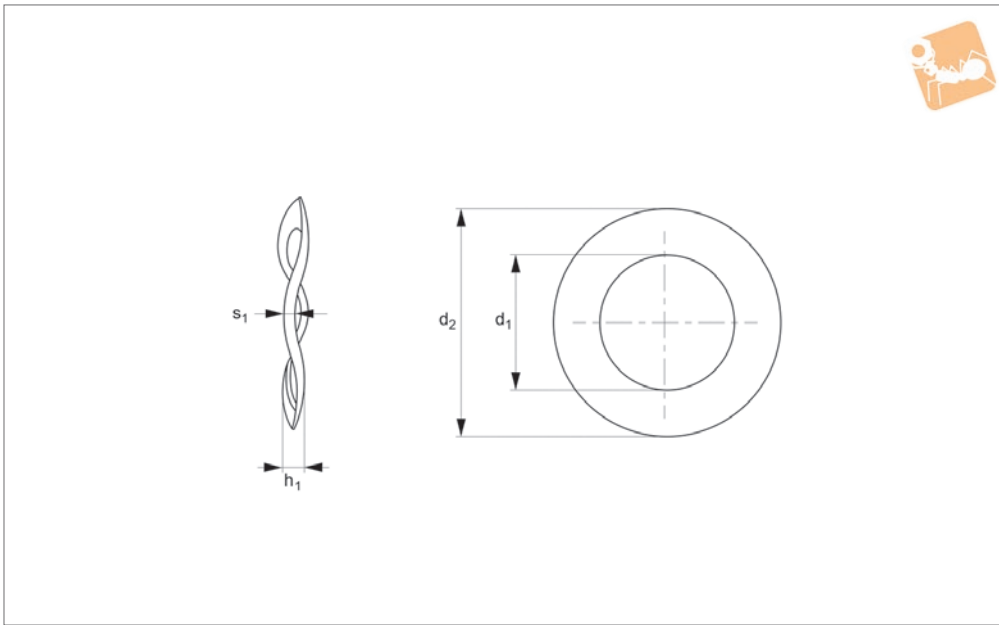


Crinkle Washers

A2 stainless



Flat Washers



P0368.A2

FLAT WASHERS

Material

Stainless steel (A2, AISI 303).

Technical Notes

To BS 4463.

Order No.	For thread	d_1	d_2	h_1	s_1	Material
P0368.016-A2	M1,6	1.7	3.7	0.51	0.16	A2 s/s
P0368.020-A2	M 2	2.2	4.6	0.53	0.16	A2 s/s
P0368.025-A2	M2,5	2.7	5.8	0.53	0.16	A2 s/s
P0368.030-A2	M 3	3.2	6.4	0.61	0.16	A2 s/s
P0368.035-A2	M3,5	3.7	6.9	0.79	0.20	A2 s/s
P0368.040-A2	M 4	4.3	8.1	0.84	0.28	A2 s/s
P0368.050-A2	M 5	5.3	9.2	0.89	0.30	A2 s/s
P0368.060-A2	M 6	6.4	11.5	1.14	0.40	A2 s/s
P0368.080-A2	M 8	8.4	15	1.4	0.40	A2 s/s
P0368.100-A2	M 10	10.5	19.6	1.7	0.55	A2 s/s
P0368.120-A2	M 12	13	22	1.9	0.55	A2 s/s
P0368.160-A2	M 16	17	27.8	2.41	0.70	A2 s/s
P0368.200-A2	M 20	21	34.7	2.66	0.70	A2 s/s