

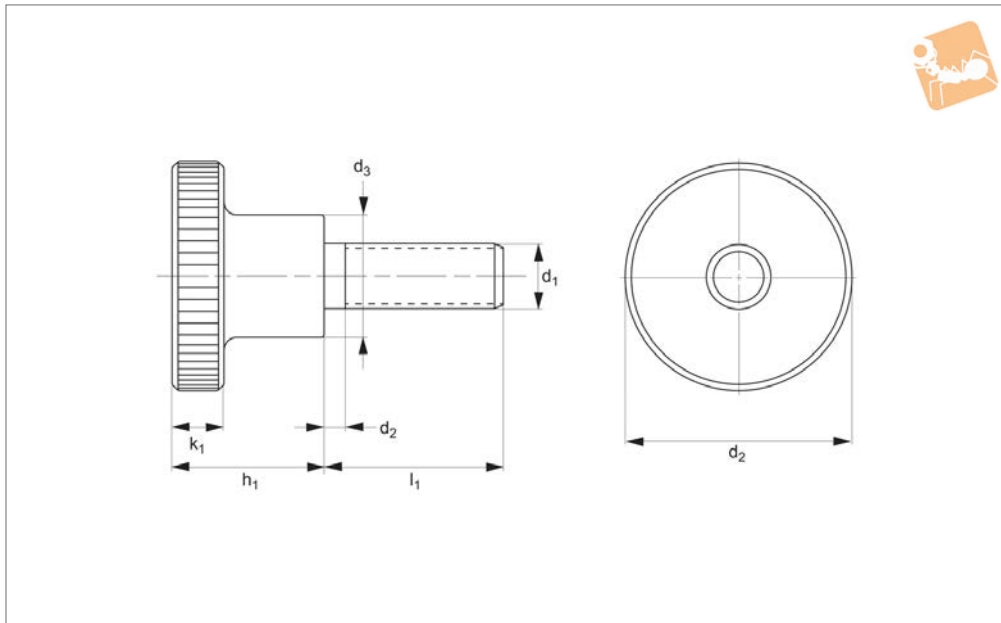


Knurled Thumb Screws

stainless steel - DIN 464



Thumb Screws



P0400.A2

THUMB SCREWS

Material

Stainless steel 1.4305 (AISI 303), matte, shot-blasted.

Contra-ry to the Official Standard Sheet, they all have a thread up to the head, as shown, but no recess at the thread end.

Technical Notes

All knurled screws are one-piece manufac-

Order No.	d ₁	d ₂	d ₃	h ₁	k ₁	l ₁	Weight g
P0400.040-008-A2	M 4	16	8	9.5	3.5	8	7.9
P0400.040-010-A2	M 4	16	8	9.5	3.5	10	8.1
P0400.040-012-A2	M 4	16	8	9.5	3.5	12	8.3
P0400.040-016-A2	M 4	16	8	9.5	3.5	16	8.4
P0400.050-010-A2	M 5	20	10	11.5	4.0	10	15.0
P0400.050-012-A2	M 5	20	10	11.5	4.0	12	15.0
P0400.050-016-A2	M 5	20	10	11.5	4.0	16	16.0
P0400.050-020-A2	M 5	20	10	11.5	4.0	20	16.0
P0400.050-025-A2	M 5	20	10	11.5	4.0	25	17.0
P0400.060-012-A2	M 6	24	12	15.0	5.0	12	28.0
P0400.060-016-A2	M 6	24	12	15.0	5.0	16	28.0
P0400.060-020-A2	M 6	24	12	15.0	5.0	20	29.0
P0400.060-025-A2	M 6	24	12	15.0	5.0	25	30.0
P0400.060-030-A2	M 6	24	12	15.0	5.0	30	31.0
P0400.080-020-A2	M 8	30	16	18.0	6.0	20	56.0
P0400.080-025-A2	M 8	30	16	18.0	6.0	25	58.0
P0400.080-030-A2	M 8	30	16	18.0	6.0	30	60.0