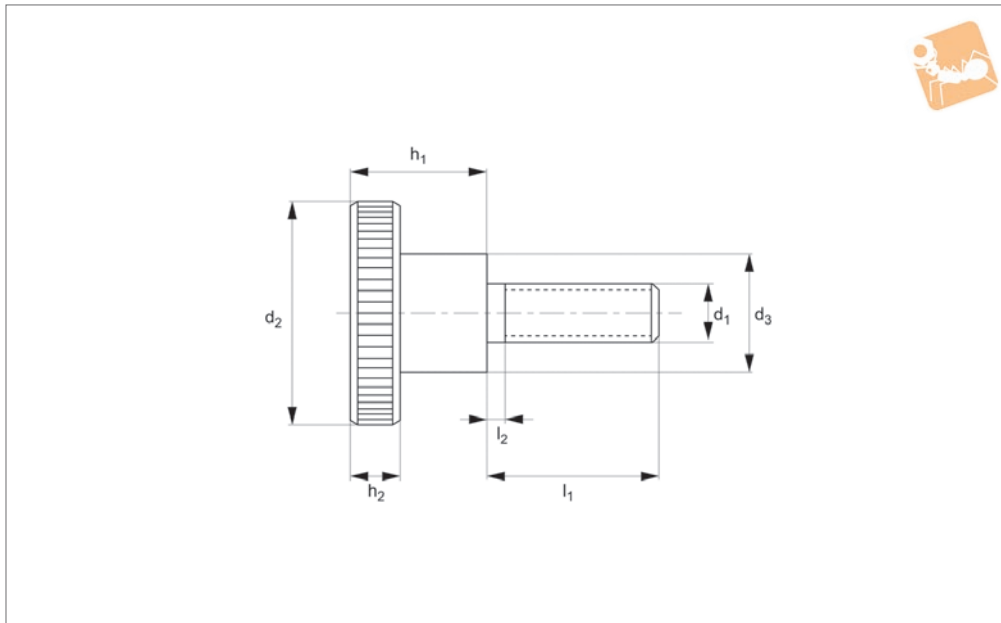


Knurled Thumb Screws

A4 stainless

Thumb Screws



P0400.A4

THUMB SCREWS

Material

Stainless steel (A4, AISI 316).

Technical Notes

To DIN 464, all knurled screws are one-piece manufactured, contrary to the offi-

cial standard sheet, they all have a thread up to the head, as shown, but no recess at the thread end.

Tips

A4 (AISI 316) stainless steel is typically

used in food, pharmaceutical and similar applications requiring a degree of corrosion protection.

Order No.	d ₁	l ₁	d ₂	d ₃	h ₁	h ₂	l ₂
P0400.030-005-A4	M 3	6	12	6	7.5	2.5	2
P0400.030-006-A4	M 3	6	12	6	7.5	2.5	2
P0400.030-008-A4	M 3	8	12	6	7.5	2.5	2
P0400.030-010-A4	M 3	10	12	6	7.5	2.5	2
P0400.030-012-A4	M 3	12	12	6	7.5	2.5	2
P0400.030-016-A4	M 3	16	12	6	7.5	2.5	2
P0400.040-005-A4	M 4	5	16	8	9.5	3.5	2
P0400.040-006-A4	M 4	6	16	8	9.5	3.5	2
P0400.040-008-A4	M 4	8	16	8	9.5	3.5	2
P0400.040-010-A4	M 4	10	16	8	9.5	3.5	2
P0400.040-012-A4	M 4	12	16	8	9.5	3.5	2
P0400.040-016-A4	M 4	16	16	8	9.5	3.5	2
P0400.040-020-A4	M 4	20	16	8	9.5	3.5	2
P0400.040-025-A4	M 4	25	16	8	9.5	3.5	2
P0400.050-010-A4	M 5	10	20	10	11.5	4.0	2
P0400.050-012-A4	M 5	12	20	10	11.5	4.0	2
P0400.050-016-A4	M 5	16	20	10	11.5	4.0	2
P0400.050-020-A4	M 5	20	20	10	11.5	4.0	2
P0400.050-025-A4	M 5	25	20	10	11.5	4.0	2
P0400.050-030-A4	M 5	30	20	10	11.5	4.0	2
P0400.060-008-A4	M 6	8	24	12	15.0	5.0	2
P0400.060-010-A4	M 6	10	24	12	15.0	5.0	2
P0400.060-012-A4	M 6	12	24	12	15.0	5.0	2
P0400.060-016-A4	M 6	16	24	12	15.0	5.0	2
P0400.060-020-A4	M 6	20	24	12	15.0	5.0	2
P0400.060-025-A4	M 6	25	24	12	15.0	5.0	2
P0400.060-030-A4	M 6	30	24	12	15.0	5.0	2
P0400.080-012-A4	M 8	12	30	16	18.0	6.0	2
P0400.080-016-A4	M 8	16	30	16	18.0	6.0	2
P0400.080-020-A4	M 8	20	30	16	18.0	6.0	2
P0400.080-025-A4	M 8	25	30	16	18.0	6.0	2
P0400.080-030-A4	M 8	30	30	16	18.0	6.0	2
P0400.100-016-A4	M10	16	36	20	23.0	8.0	2



Order No.	d ₁	l ₁	d ₂	d ₃	h ₁	h ₂	l ₂
P0400.100-020-A4	M10	20	36	20	23.0	8.0	2
P0400.100-025-A4	M10	25	36	20	23.0	8.0	2
P0400.100-030-A4	M10	30	36	20	23.0	8.0	2