

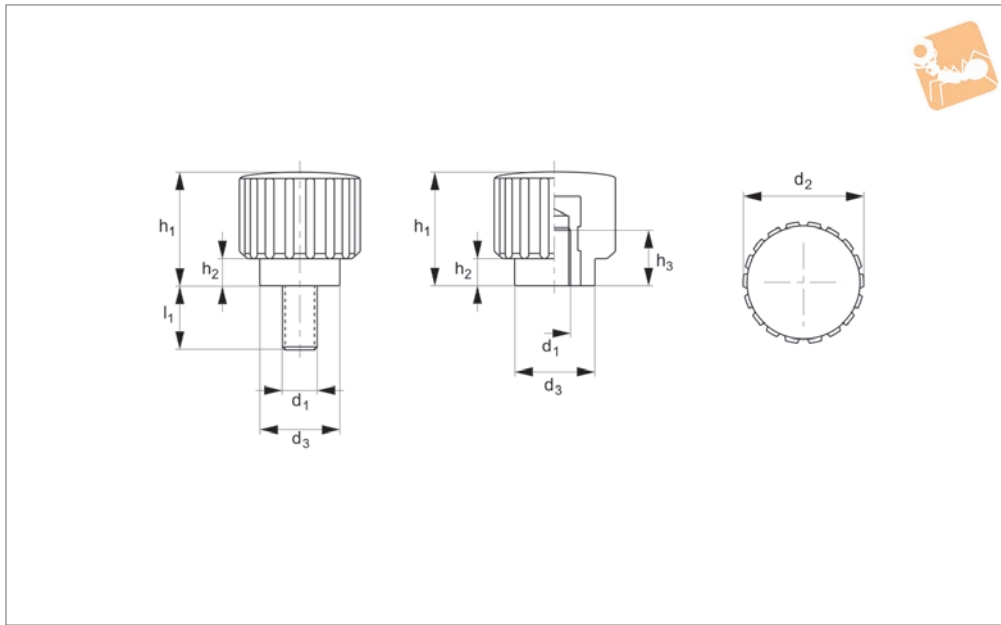


# Plastic Head Thumbscrews

## Fluted body



# Thumb Screws



**P0444**

THUMB SCREWS

### Material

Duroplast, black satin finish, male version with zinc-plated thread, female version

with brass insert.

### Technical Notes

Resistant to organic and inorganic

chemical substances such as oils, greases, fuels and solvents.

Order No.	Type	d <sub>1</sub>	l <sub>1</sub>	d <sub>2</sub>	d <sub>3</sub>	h <sub>1</sub>	h <sub>2</sub>	Insert material	h <sub>3</sub>
P0444.040-010-ZP	Male	M4	10	15	11	12	1.5	Steel ZP	-
P0444.050-010-ZP	Male	M5	10	15	11	12	1.5	Steel ZP	-
P0444.050-013-ZP	Male	M5	13	18	12	17	4.0	Steel ZP	-
P0444.050-040-ZP	Male	M5	40	24	12	17	5.5	Steel ZP	-
P0444.060-013-ZP	Male	M6	13	18	16	17	4.0	Steel ZP	-
P0444.060-015-ZP	Male	M6	15	24	16	17	5.5	Steel ZP	-
P0444.080-015-ZP	Male	M8	15	24	16	17	5.5	Steel ZP	-
P0444.080-025-ZP	Male	M8	25	24	16	17	5.5	Steel ZP	-
P0444.030-015-BR	Female	M3	-	15	11	12	1.5	Brass	9
P0444.040-015-BR	Female	M4	-	15	11	12	1.5	Brass	9
P0444.050-015-BR	Female	M5	-	15	11	12	1.5	Brass	9
P0444.050-018-BR	Female	M5	-	18	12	17	4.0	Brass	9
P0444.060-015-BR	Female	M5	-	15	11	12	1.5	Brass	9
P0444.060-018-BR	Female	M6	-	18	12	17	4.0	Brass	9
P0444.060-024-BR	Female	M6	-	24	16	17	5.5	Brass	9
P0444.080-024-BR	Female	M8	-	24	16	17	5.5	Brass	9