

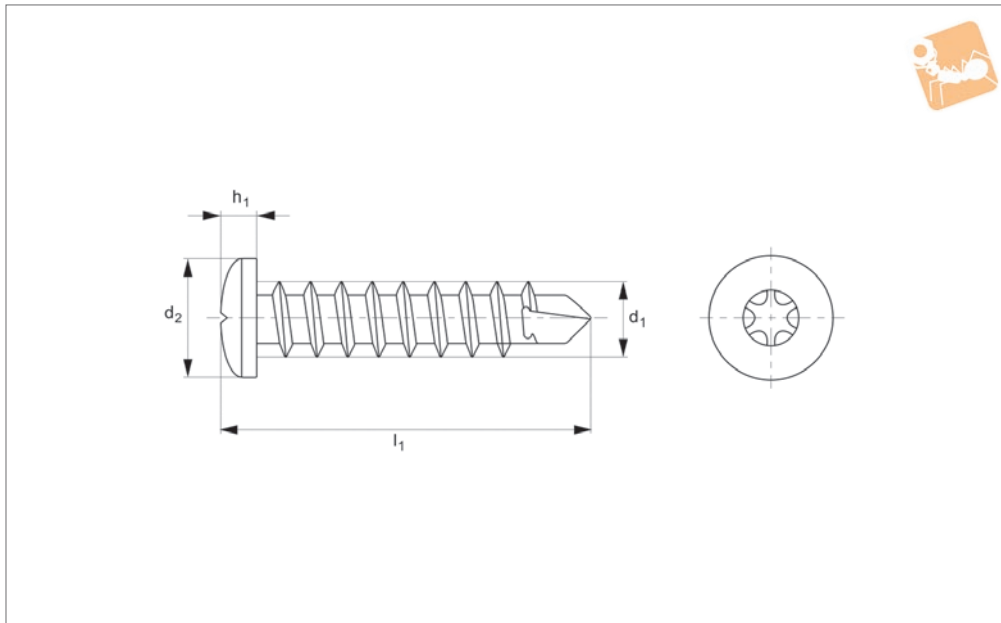


# Pan Head TX Self-Drilling

TX - steel, zinc-plated



Self Drilling



**P0644.ZP**

SELF DRILLING

### Material

Steel, zinc plated.

### Technical Notes

To DIN 7504-TX. Self-drilling thread.

Order No.	d <sub>1</sub>	l <sub>1</sub>	d <sub>2</sub>	h <sub>1</sub>	Size
P0644.035-009-ZP	3.5	9.5	6.9	2.6	TX-10
P0644.035-013-ZP	3.5	13	6.9	2.6	TX-10
P0644.035-016-ZP	3.5	16	6.9	2.6	TX-10
P0644.035-019-ZP	3.5	19	6.9	2.6	TX-10
P0644.035-022-ZP	3.5	22	6.9	2.6	TX-10
P0644.035-025-ZP	3.5	25	6.9	2.6	TX-10
P0644.039-013-ZP	3.9	13	7.5	2.8	TX-20
P0644.039-016-ZP	3.9	16	7.5	2.8	TX-20
P0644.039-019-ZP	3.9	19	7.5	2.8	TX-20
P0644.039-022-ZP	3.9	22	7.5	2.8	TX-20
P0644.039-025-ZP	3.9	25	7.5	2.8	TX-20
P0644.039-032-ZP	3.9	32	7.5	2.8	TX-20
P0644.039-038-ZP	3.9	38	7.5	2.8	TX-20
P0644.042-013-ZP	4.2	13	8.2	3.05	TX-20
P0644.042-016-ZP	4.2	16	8.2	3.05	TX-20
P0644.042-019-ZP	4.2	19	8.2	3.05	TX-20
P0644.042-022-ZP	4.2	22	8.2	3.05	TX-20
P0644.042-025-ZP	4.2	25	8.2	3.05	TX-20
P0644.042-032-ZP	4.2	32	8.2	3.05	TX-20
P0644.042-038-ZP	4.2	38	8.2	3.05	TX-20
P0644.048-013-ZP	4.8	13	9.8	3.55	TX-25
P0644.048-016-ZP	4.8	16	9.8	3.55	TX-25
P0644.048-019-ZP	4.8	19	9.8	3.55	TX-25
P0644.048-022-ZP	4.8	22	9.8	3.55	TX-25
P0644.048-025-ZP	4.8	25	9.8	3.55	TX-25
P0644.048-032-ZP	4.8	32	9.8	3.55	TX-25
P0644.048-038-ZP	4.8	38	9.8	3.55	TX-25
P0644.048-045-ZP	4.8	45	9.8	3.55	TX-25
P0644.048-050-ZP	4.8	50	9.8	3.55	TX-25
P0644.048-060-ZP	4.8	60	9.8	3.55	TX-25