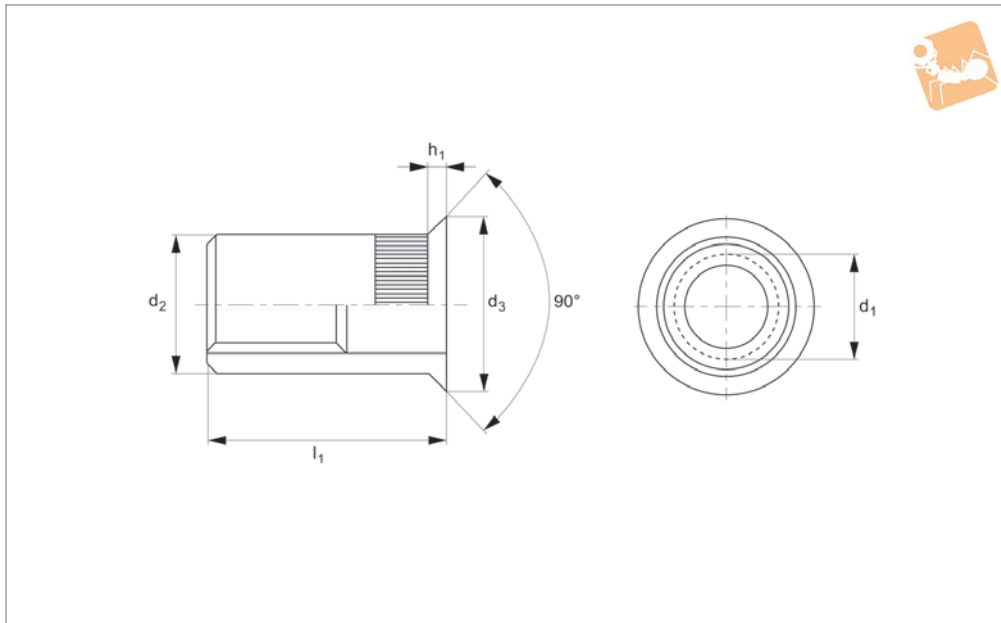




# Countersunk Insert Nuts

Steel, zinc-plated

## Insert Nuts



**P0821.ZP**

INSERT NUTS

### Material

Steel, zinc-plated.

### Technical Notes

Knurled body type.

The countersunk head is a stronger type of

head and will ensure a flush finish in a countersunk hole. The knurled body provides extra turning resistance.

### Tips

Also known as blind rivet nuts or grip nuts.

### Important Notes

Lip Height:

M3-M8: 0<1.5

M10: 1.5<1.7

M12: 1.7<1.9

Order No.	d <sub>1</sub>	Grip range	d <sub>2</sub> +0 -0.2	d <sub>3</sub>	h <sub>1</sub>	l <sub>1</sub>
P0821.030-035-ZP	M 3	1,5-3,5	4.9	7.5	1.5	11.5
P0821.030-050-ZP	M 3	3,5-5,0	4.9	7.5	1.5	12.5
P0821.040-035-ZP	M 4	1,5-3,5	5.9	8.5	1.5	12.0
P0821.040-065-ZP	M 4	3,5-6,5	5.9	8.5	1.5	15.0
P0821.050-040-ZP	M 5	1,5-4,0	6.9	9.5	1.5	13.0
P0821.050-065-ZP	M 5	4,0-6,5	6.9	9.5	1.5	16.0
P0821.050-090-ZP	M 5	6,5-9,0	6.9	9.5	1.5	18.5
P0821.060-040-ZP	M 6	1,5-4,0	8.9	11.5	1.5	15.5
P0821.060-065-ZP	M 6	4,0-6,5	8.9	11.5	1.5	18.0
P0821.060-090-ZP	M 6	6,5-9,0	8.9	11.5	1.5	20.5
P0821.080-045-ZP	M 8	1,7-4,5	10.9	13.5	1.5	18.5
P0821.080-065-ZP	M 8	4,0-6,5	10.9	13.5	1.5	21.0
P0821.080-090-ZP	M 8	6,5-9,0	10.9	13.5	1.5	23.5
P0821.100-045-ZP	M10	2,0-4,5	11.9	14.5	1.7	21.0
P0821.100-075-ZP	M10	4,5-7,5	11.9	14.5	1.7	24.0
P0821.100-105-ZP	M10	7,5-10,5	11.9	14.5	1.7	27.0
P0821.120-045-ZP	M12	2,0-4,5	15.9	19.0	1.9	24.5
P0821.120-075-ZP	M12	4,5-7,5	15.9	19.0	1.9	27.5
P0821.120-105-ZP	M12	7,5-10,5	15.9	19.0	1.9	31.0