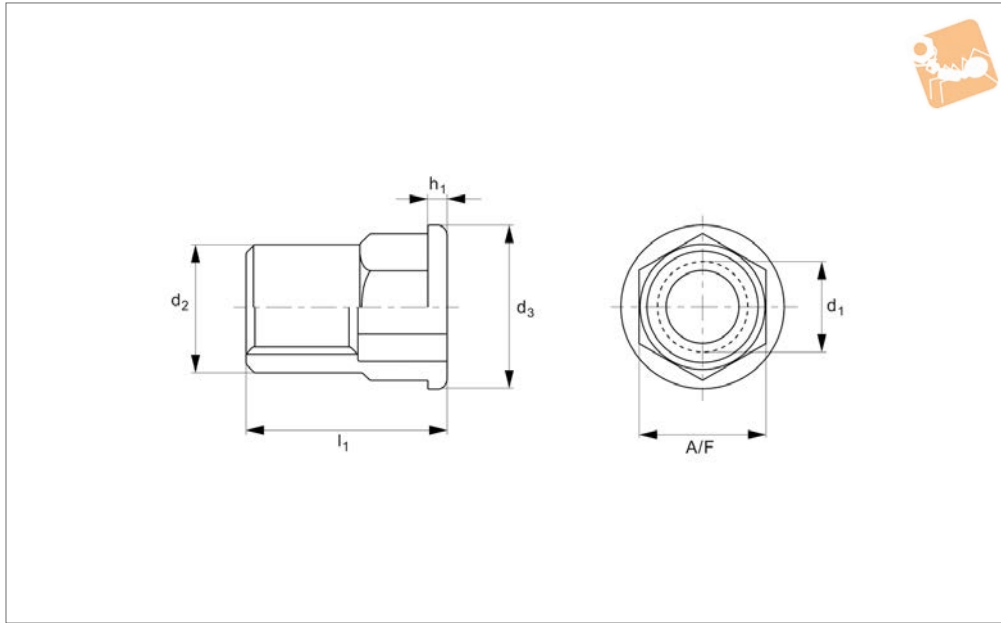




# Flat Half Hex Insert Nuts

A4 stainless

## Insert Nuts



**P0823.A4**

INSERT NUTS

### Material

Stainless steel (A4, AISI 316).

### Technical Notes

Plain body type.

Hexagon body insert nuts prevent the

problem of a nut turning after being installed. Flange head insert nuts are recommended for use in load bearing applications. The larger sized head acts as a reinforcement to the hole, provides resi-

stance to push-out and acts as a spacer.

### Tips

Also known as blind rivet nuts or grip nuts.

Order No.	$d_1$	Grip range	A/F	$d_2$	$h_1$	$l_1$
P0823.040-025-A4	M4	0,5-2,5	6.0	9.0	1.0	12.0
P0823.050-030-A4	M5	0,5-3,0	7.0	10.0	1.0	12.5
P0823.060-030-A4	M6	0,5-3,0	9.0	12.0	1.5	16.0
P0823.080-030-A4	M8	0,5-3,0	11.0	15.0	1.5	17.5