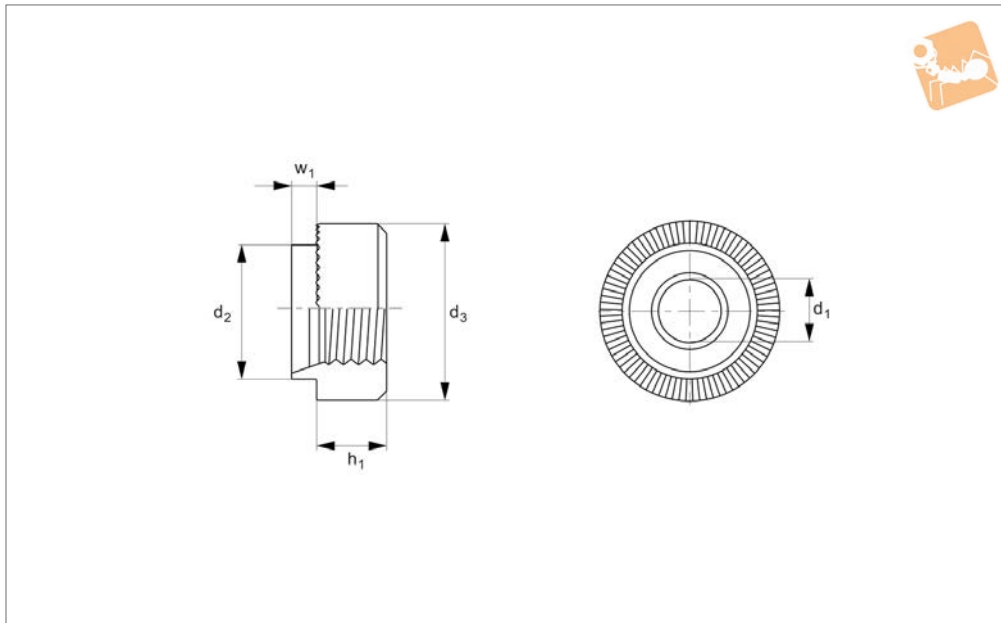




# Round Rivet Bushes

Steel, zinc-plated

## Rivet Bushes



**P0828.ZP**

RIVET BUSHES

### Material

Steel, zinc-plated.

of a thin spigot. The presence of serrations provide additional anchorage.

### Technical Notes

Rivet bushes are securely locked by means

using a hammer.

Order No.	d <sub>1</sub>	Panel thickness	w <sub>1</sub>	d <sub>2</sub>	d <sub>3</sub>	h <sub>1</sub>	For gauge
P0828.030-22G-ZP	M 3	0.8	1,3-1,5	5.54	7.92	3.17	22G
P0828.030-20G-ZP	M 3	1.0	1,5-1,7	5.54	7.92	3.17	20G
P0828.030-18G-ZP	M 3	1.2	1,7-1,9	5.54	7.92	3.17	18G
P0828.030-16G-ZP	M 3	1.5	2,0-2,2	5.54	7.92	3.17	16G
P0828.030-14G-ZP	M 3	2.0	2,5-2,7	5.54	7.92	3.17	14G
P0828.030-12G-ZP	M 3	2.5	3,0-3,2	5.54	7.92	3.17	12G
P0828.030-10G-ZP	M 3	3.0	3,5-3,7	5.54	7.92	3.17	10G
P0828.030-08G-ZP	M 3	4.0	4,5-4,7	5.54	7.92	3.17	8G
P0828.035-22G-ZP	M3,5	0.8	1,3-1,5	5.54	7.92	3.17	22G
P0828.035-20G-ZP	M3,5	1.0	1,5-1,7	5.54	7.92	3.17	20G
P0828.035-18G-ZP	M3,5	1.2	1,7-1,9	5.54	7.92	3.17	18G
P0828.035-16G-ZP	M3,5	1.5	2,0-2,2	5.54	7.92	3.17	16G
P0828.035-14G-ZP	M3,5	2.0	2,5-2,7	5.54	7.92	3.17	14G
P0828.035-12G-ZP	M3,5	2.5	3,0-3,2	5.54	7.92	3.17	12G
P0828.035-10G-ZP	M3,5	3.0	3,5-3,7	5.54	7.92	3.17	10G
P0828.035-08G-ZP	M3,5	4.0	4,5-4,7	5.54	7.92	3.17	8G
P0828.040-22G-ZP	M 4	0.8	1,3-1,5	6.73	7.92	3.17	22G
P0828.040-20G-ZP	M 4	1.0	1,5-1,7	6.73	7.92	3.17	20G
P0828.040-18G-ZP	M 4	1.2	1,7-1,9	6.73	7.92	3.17	18G
P0828.040-16G-ZP	M 4	1.5	2,0-2,2	6.73	7.92	3.17	16G
P0828.040-14G-ZP	M 4	2.0	2,5-2,7	6.73	7.92	3.17	14G
P0828.040-12G-ZP	M 4	2.5	3,0-3,2	6.73	7.92	3.17	12G
P0828.040-10G-ZP	M 4	3.0	3,5-3,7	6.73	7.92	3.17	10G
P0828.040-08G-ZP	M 4	4.0	4,5-4,7	6.73	7.92	3.17	8G
P0828.050-22G-ZP	M 5	0.8	1,3-1,5	7.92	9.52	3.81	22G
P0828.050-20G-ZP	M 5	1.0	1,5-1,7	7.92	9.52	3.81	20G
P0828.050-18G-ZP	M 5	1.2	1,7-1,9	7.92	9.52	3.81	18G
P0828.050-16G-ZP	M 5	1.5	2,0-2,2	7.92	9.52	3.81	16G
P0828.050-14G-ZP	M 5	2.0	2,5-2,7	7.92	9.52	3.81	14G
P0828.050-12G-ZP	M 5	2.5	3,0-3,2	7.92	9.52	3.81	12G
P0828.050-10G-ZP	M 5	3.0	3,5-3,7	7.92	9.52	3.81	10G
P0828.050-08G-ZP	M 5	4.0	4,5-4,7	7.92	9.52	3.81	8G
P0828.060-22G-ZP	M 6	0.8	1,3-1,5	9.52	11.1	5.08	22G
P0828.060-20G-ZP	M 6	1.0	1,5-1,7	9.52	11.1	5.08	20G



Order No.	d <sub>1</sub>	Panel thickness	w <sub>1</sub>	d <sub>2</sub>	d <sub>3</sub>	h <sub>1</sub>	For gauge
P0828.060-18G-ZP	M 6	1.2	1,7-1,9	9.52	11.1	5.08	18G
P0828.060-16G-ZP	M 6	1.5	2,0-2,2	9.52	11.1	5.08	16G
P0828.060-14G-ZP	M 6	2.0	2,5-2,7	9.52	11.1	5.08	14G
P0828.060-12G-ZP	M 6	2.5	3,0-3,2	9.52	11.1	5.08	12G
P0828.060-10G-ZP	M 6	3.0	3,5-3,7	9.52	11.1	5.08	10G
P0828.060-08G-ZP	M 6	4.0	4,5-4,7	9.52	11.1	5.08	8G
P0828.080-22G-ZP	M 8	0.8	1,3-1,5	12.7	14.27	6.35	22G
P0828.080-20G-ZP	M 8	1.0	1,5-1,7	12.7	14.27	6.35	20G
P0828.080-18G-ZP	M 8	1.2	1,7-1,9	12.7	14.27	6.35	18G
P0828.080-16G-ZP	M 8	1.5	2,0-2,2	12.7	14.27	6.35	16G
P0828.080-14G-ZP	M 8	2.0	2,5-2,7	12.7	14.27	6.35	14G
P0828.080-12G-ZP	M 8	2.5	3,0-3,2	12.7	14.27	6.35	12G
P0828.080-10G-ZP	M 8	3.0	3,5-3,7	12.7	14.27	6.35	10G
P0828.080-08G-ZP	M 8	4.0	4,5-4,7	12.7	14.27	6.35	8G
P0828.100-22G-ZP	M10	0.8	1,3-1,5	15.87	19.05	7.62	22G
P0828.100-20G-ZP	M10	1.0	1,5-1,7	15.87	19.05	7.62	20G
P0828.100-18G-ZP	M10	1.2	1,7-1,9	15.87	19.05	7.62	18G
P0828.100-16G-ZP	M10	1.5	2,0-2,2	15.87	19.05	7.62	16G
P0828.100-14G-ZP	M10	2.0	2,5-2,7	15.87	19.05	7.62	14G
P0828.100-12G-ZP	M10	2.5	3,0-3,2	15.87	19.05	7.62	12G
P0828.100-10G-ZP	M10	3.0	3,5-3,7	15.87	19.05	7.62	10G
P0828.100-08G-ZP	M10	4.0	4,5-4,7	15.87	19.05	7.62	8G
P0828.120-22G-ZP	M12	0.8	1,3-1,5	19.05	22.22	10.16	22G
P0828.120-20G-ZP	M12	1.0	1,5-1,7	19.05	22.22	10.16	20G
P0828.120-18G-ZP	M12	1.2	1,7-1,9	19.05	22.22	10.16	18G
P0828.120-16G-ZP	M12	1.5	2,0-2,2	19.05	22.22	10.16	16G
P0828.120-14G-ZP	M12	2.0	2,5-2,7	19.05	22.22	10.16	14G
P0828.120-12G-ZP	M12	2.5	3,0-3,2	19.05	22.22	10.16	12G
P0828.120-10G-ZP	M12	3.0	3,5-3,7	19.05	22.22	10.16	10G
P0828.120-08G-ZP	M12	4.0	4,5-4,7	19.05	22.22	10.16	8G