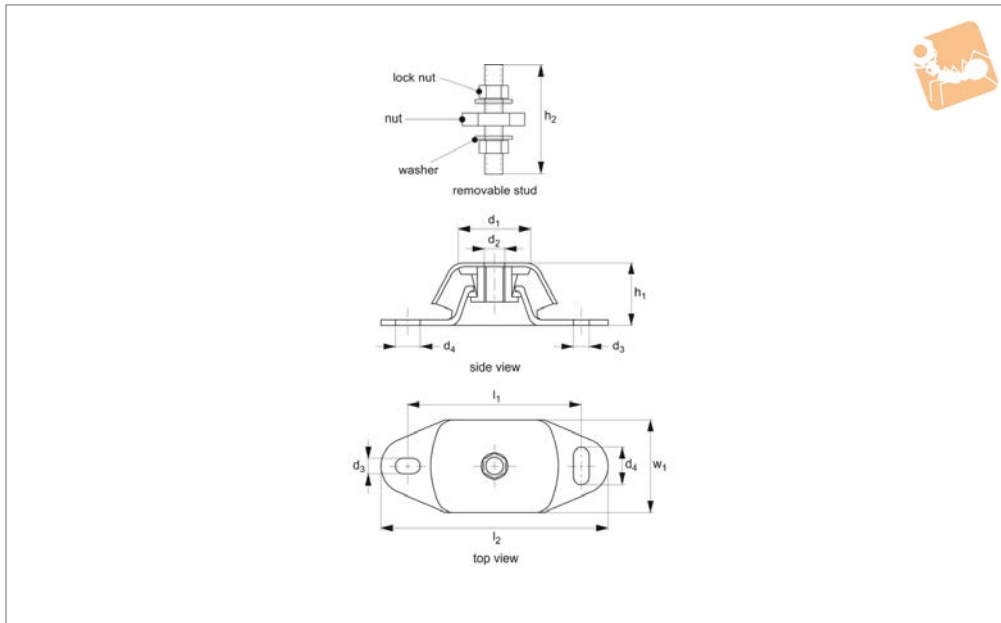




Anti-vibration Fail-Safe Mounts

316 stainless

Anti-Vibration Components



P2102

ANTI-VIBRATION COMPONENTS

Material

Stainless steel (A4, 316). Rubber hardness 65-75 Shore A.

Technical Notes

These mounts control vibration in three axes. Primarily used for marine applications, engines, compressors, pumps, generators etc.

Fitted with a mechanical fail-safe stop. They are very robust to cope with high start/stop forces and vibrations from marine and other engines.

These stainless steel versions are widely used for marine engine mounts or applications that are either offshore or have a very high corrosion level. Stud and nuts on

request.

Tips

These are a very popular anti-vibration mount for light to heavy duty applications. Take the total weight of the load to be supported, divide it by the number of mounts to be used and select an appropriate mount from the table.

Order No.	d ₁	d ₂	l ₁	l ₂	w ₁	d ₃	d ₄	h ₁	h ₂	Load kg max.
P2102.60-65	60	M12	100	120	60	11	14	40	95	100
P2102.75-75	75	M16	140	183	75	13	20	50	110	550



Recommendations for machine mounts

Machine mounts should be installed between two parallel and perfectly flat surfaces. Mounts operating tilted or twisted do not work properly. This may be due to incorrect alignment, tolerances in the building of the structure or over-tightened torque during the installation of the anti-vibration mounts.

ANTI-VIBRATION COMPONENTS

