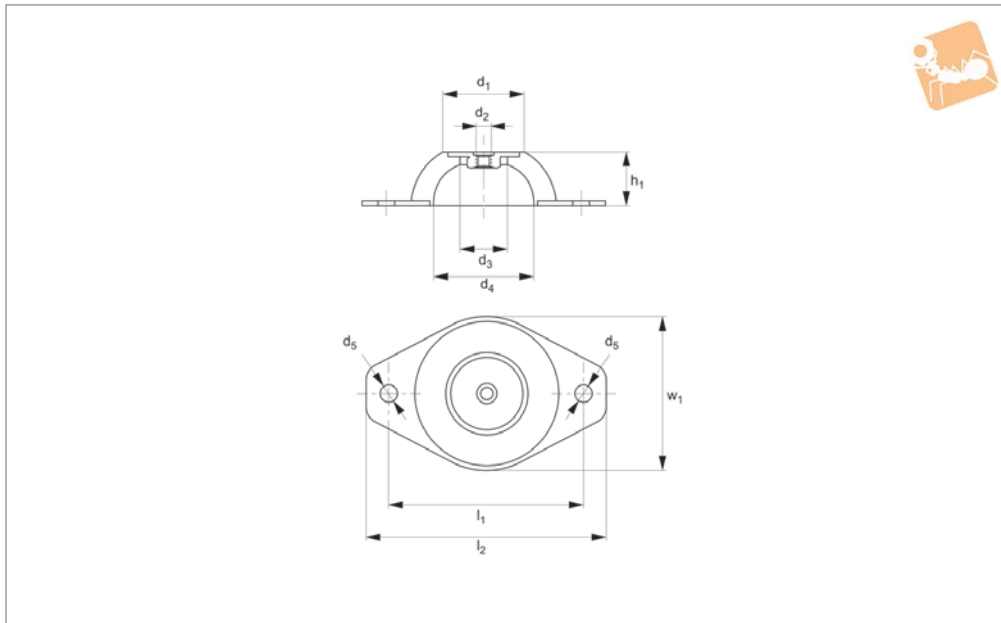




Anti-vibration Dome Mounts

dome mounts

Anti-Vibration Components



P2106

ANTI-VIBRATION COMPONENTS

Material

Rubber on yellow zinc plated steel (rubber hardness 45-65 Shore A).

Technical Notes

The design of these mounts makes them ideal for the use with machines where

violation of vertical and horizontal vibration occur.

Tips

These mounting are particularly suitable for applications with low to medium dynamic amplitudes which enables the

mountings stiffness rates to provide effective isolation. Suitable for HVAC, ventilators, rotating pumps, torque or frequency converters, electric motors or power units.

Order No.	d ₁	d ₂	d ₃	d ₄	d ₅	h ₁	l ₁	w ₁	l ₂	Load kgf max.	Weight g
P2106.045-45	24.5	M 6	19	29	6.25	17	52	43	64	4	28
P2106.045-60	24.5	M 6	19	29	6.25	17	52	43	64	10	28
P2106.060-45	32.0	M 6	14	39	6.50	21	76	60	95	15	73
P2106.060-60	32.0	M 6	14	39	6.50	21	76	60	95	25	73
P2106.080-45	51.0	M 8	25	65	8.50	25	100	86	120	75	130
P2106.080-60	51.0	M 8	25	65	8.50	25	100	86	120	110	130
P2106.100-45	54.0	M10	22	67	10.5	25	124	100	149	90	262
P2106.100-60	54.0	M10	22	67	10.5	25	124	100	149	160	262
P2106.150-45	76.0	M14	34	114	12.0	34	182	150	214	130	664
P2106.150-60	76.0	M14	34	114	12.0	34	182	150	214	250	664
P2106.200-45	128.0	M18	35	140	15.0	40	240	200	280	500	1615
P2106.200-60	128.0	M18	35	140	15.0	40	240	200	280	825	1615



Recommendations for Machine Mounts

The machine mounts should be installed between two parallel and perfectly flat surfaces. Mounts operating tilted or twisted do not work properly. This may be due to incorrect alignment, tolerances in the building of the structure or over-tightened torque during the installation of the anti-vibration mounts.



Incorrect ✘



Correct ✔



Incorrect ✘



Correct ✔



Incorrect ✘



Correct ✔



Incorrect ✘



Correct ✔



Incorrect ✘



Correct ✔