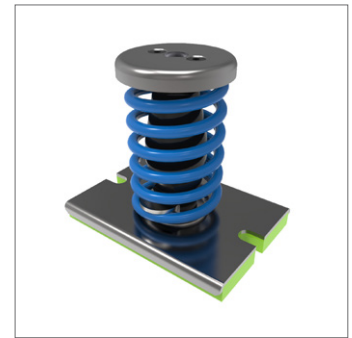
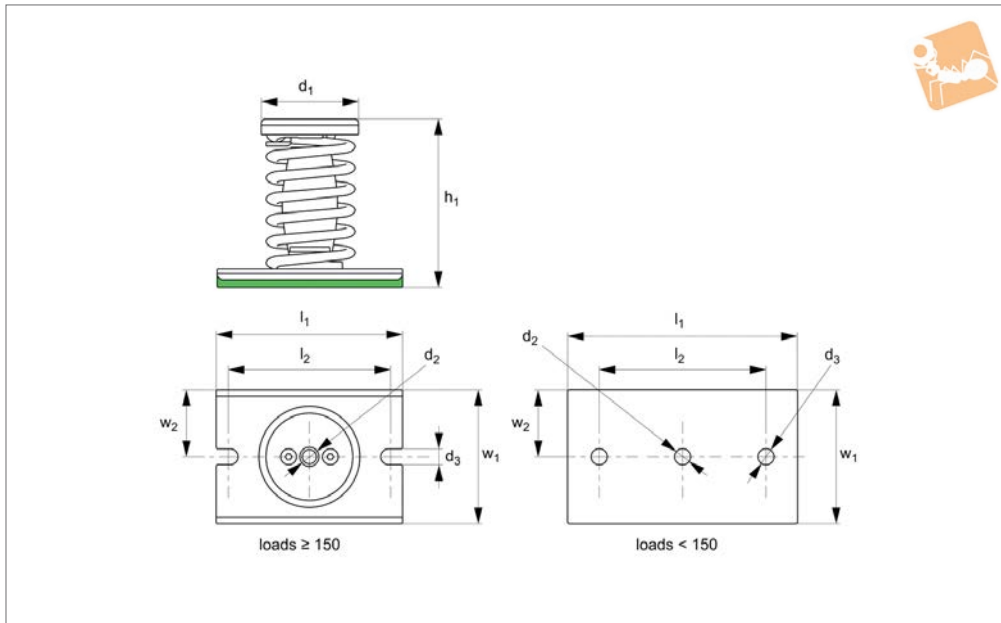




# Spring Vibration Damper one spring one spring

## Anti-Vibration Components



**P2452**

ANTI-VIBRATION COMPONENTS

### Material

High tensile steel with sylomer anti-slide base.

porate, isolates the mid-high frequency vibrations which are transmitted through the coils of the metal springs.

compressors, pump and pumping equipment and acoustic isolation of premises.

### Technical Notes

The sylomer mat that these dampers incor-

### Tips

These are used in sectors such as air

Order No.	Spring colour	$l_1$	$h_1$	$d_1$	$w_1$	$d_2$	$d_3$	$l_2$	$w_2$	Compression max.	Load kgf max.	Weight kg
P2452.008-025	Black	100	78	54	69.5	M 8	8.5	80	34.75	20	25	0.29
P2452.008-050	Blue	100	78	54	69.5	M 8	8.5	80	34.75	20	50	0.27
P2452.008-075	Grey	100	78	54	69.5	M 8	8.5	80	34.75	20	75	0.30
P2452.008-100	Beige	100	78	54	69.5	M 8	8.5	80	34.75	20	100	0.35
P2452.008-125	White	100	78	54	69.5	M 8	8.5	80	34.75	20	125	0.395
P2452.012-150	Blue	140	127	75	98.5	M12	12	120	49.25	30	150	1.10
P2452.012-200	White	140	127	75	98.5	M12	12	120	49.25	30	200	1.14
P2452.012-250	Black	140	127	75	98.5	M12	12	120	49.25	30	250	1.23
P2452.012-350	Cream	140	127	75	98.5	M12	12	120	49.25	30	350	1.39
P2452.014-500	Light Grey	140	127	93	98.5	M14	12	120	49.25	18	500	2.56
P2452.014-750	Green	140	127	93	98.5	M14	12	120	49.25	18	750	3.04