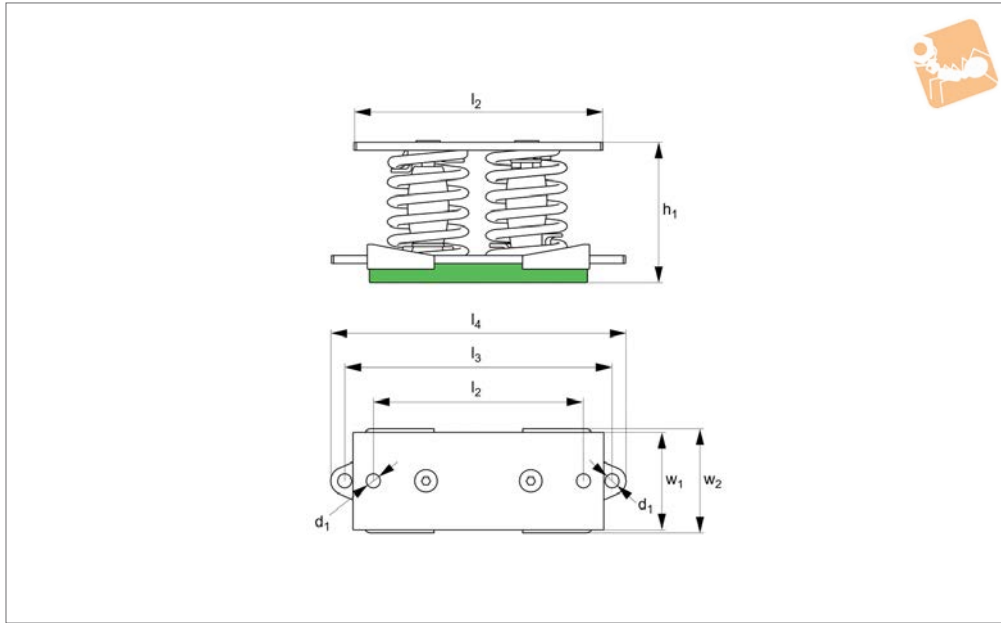




Spring Vibration Damper two spring two spring

Anti-Vibration Components



P2453

ANTI-VIBRATION COMPONENTS

Material

High tensile steel with sylomer anti-slide base

porate, isolates the mid-high frequency vibrations which are transmitted through the coils of the metal springs.

compressors, pump and pumping equipment and acoustic isolation of premises.

Technical Notes

The sylomer mat that these dampers incor-

Tips

These are used in sectors such as air

Order No.	Spring colour	l_1	h	d	w_1	l_2	l_3	l_4	w_2	Compression max.	Load kgf max.	Weight kg
P2453.012-0300	Blue	200	136	12	75	170	220	244	81	30	300	3.10
P2453.012-0400	White	200	136	12	75	170	220	244	81	30	400	3.17
P2453.012-0500	Black	200	136	12	75	170	220	244	81	30	500	3.35
P2453.012-0700	Cream	200	136	12	75	170	220	244	81	30	700	3.70
P2453.014-1000	Light Grey	250	136	14	100	210	270	298	106	17	1000	5.90
P2453.014-1500	Green	250	136	14	100	210	270	298	106	17	1500	6.84