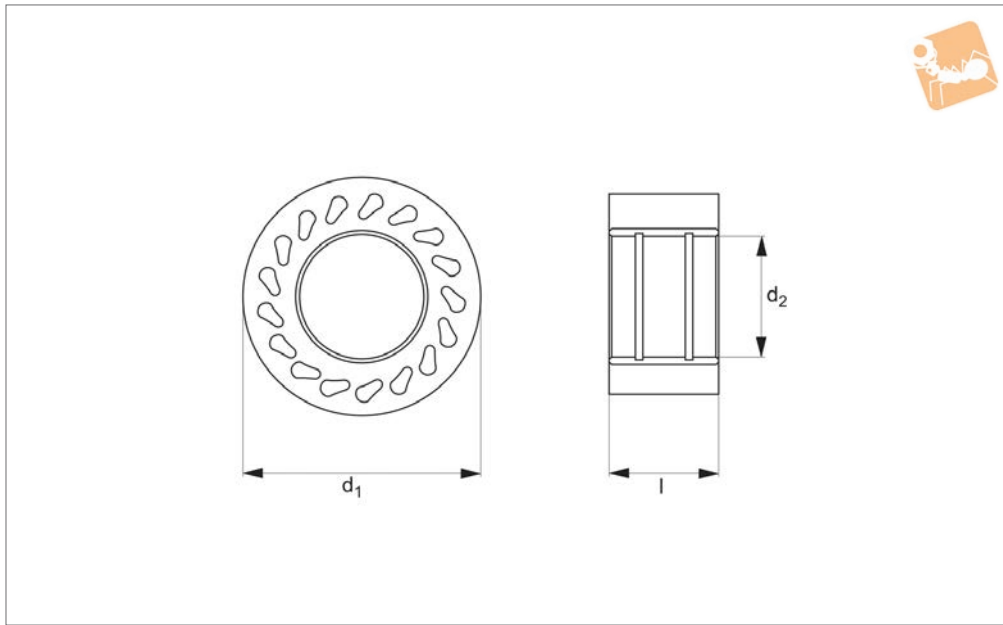




Durasoft Roller

roller only



P2760

MATERIAL HANDLING

Material

Urethane bonded to a steel insert. Hardness from 35-95 durometer (Shore A).

Tips

Durasoft rollers have „teardrop“ holes to allow the roller to flex for firm but non-damaging contact.

Technical Notes

Roller only - allows for custom mounting.

Order No.	Durometer	d ₁	l	d ₂ min. max.
P2760.25A60	60	63,5 (2,5")	23.37	28,58/28,65
P2760.25B60	60	63,5 (2,5")	49.28	31,80/31,90
P2760.40A60	60	101,6 (4")	23.37	31,80/31,90
P2760.40B60	60	101,6 (4")	49.28	31,80/31,90