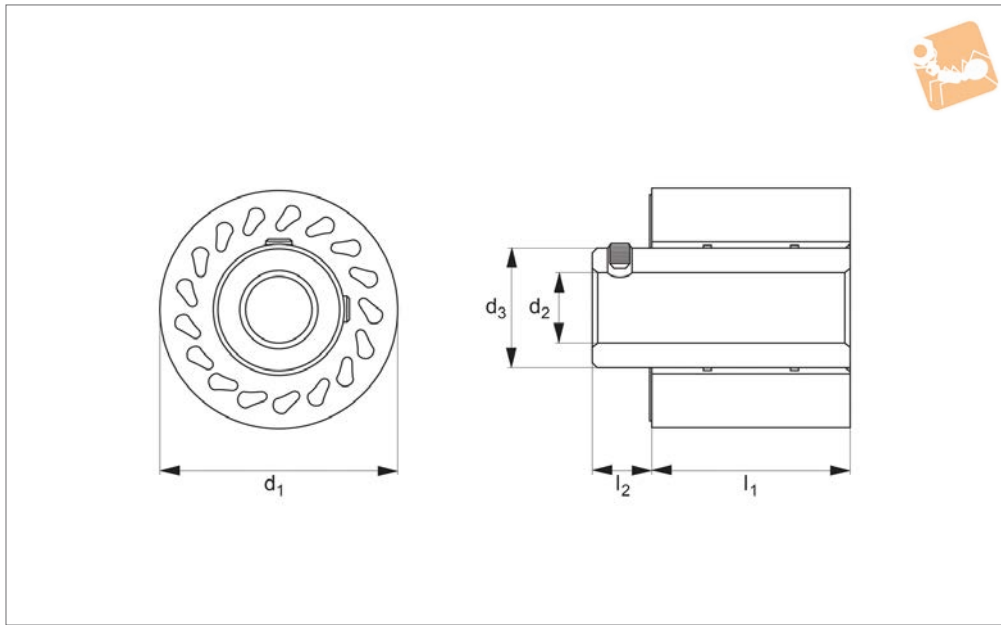




Durasoft Roller

shaft drive



P2766

MATERIAL HANDLING

Material

Urethane bonded to a steel insert. Hardness from 35-80 durometer (Shore A).

Technical Notes

Designed to be mounted onto a shaft. A

hub extends past the roller and is supplied with two set screws at 90°.

damaging contact.

Tips

Durasoft rollers have „teardrop“ holes to allow the roller to flex for firm but non-

Order No.	Durometer	d ₁	l ₁	d ₂ min. max.	l ₂	d ₃
P2766.25A60	60	63,5 (2,5")	23.37	12,73/12,83	12.7	31.75