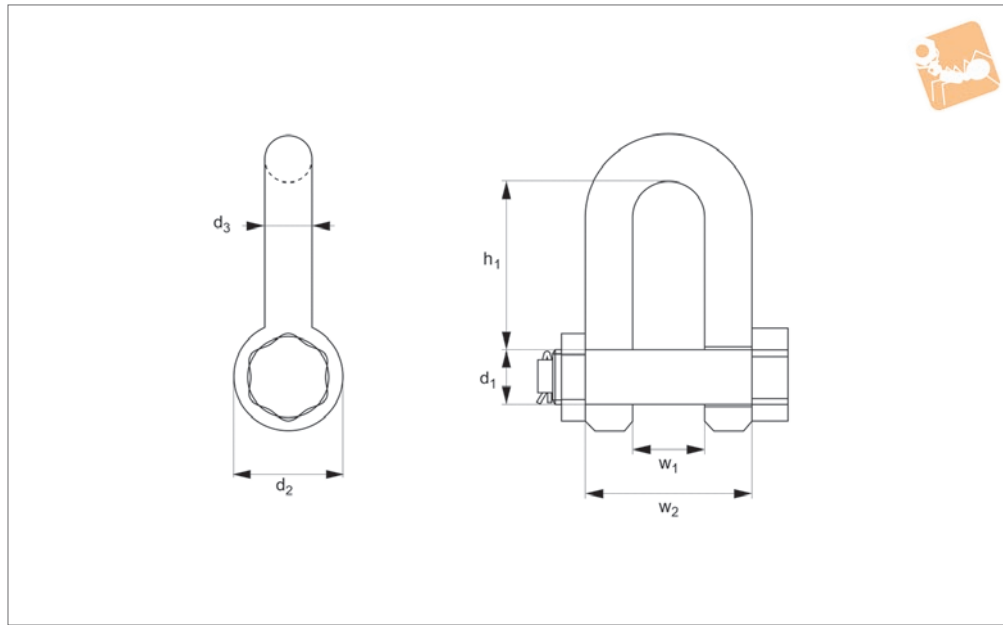




High-tensile Steel D Shackles

with pin, nut and cotter

Lifting Pins,
Lifting Bolts &



P4098

LIFTING PINS, LIFTING BOLTS & SWING BOLTS

Material

High-tensile steel.

Pin: hot-dip galvanized and lacquered;

shackle: hot-dip galvanized.

CE marked.

Order No.	d ₁	d ₂	d ₃	h ₁	w ₁	w ₂	Load kg max.	Weight kg
P4098.16	16	30	13	41	21	47	1000	0.34
P4098.19	19	42	16	51	27	59	3250	0.70
P4098.22	22	48	19	60	32	70	4750	1.18
P4098.25	25	57	22	71	36	80	6500	1.64
P4098.28	28	62	25	81	43	93	8500	2.41
P4098.32	32	69	29	90	46	104	9500	3.27
P4098.35	35	78	32	100	52	116	12000	4.59
P4098.38	38	86	35	113	57	127	13500	6.00
P4098.42	42	94	38	124	60	136	17000	8.33
P4098.50	50	112	44	146	73	161	25000	12.83
P4098.55	55	127	51	171	83	185	35000	19.30
P4098.70	70	152	64	203	105	232	55000	34.50
P4098.82	82	165	75	230	127	279	85000	60.00
P4098.95	95	203	89	253	133	317	120000	93.00