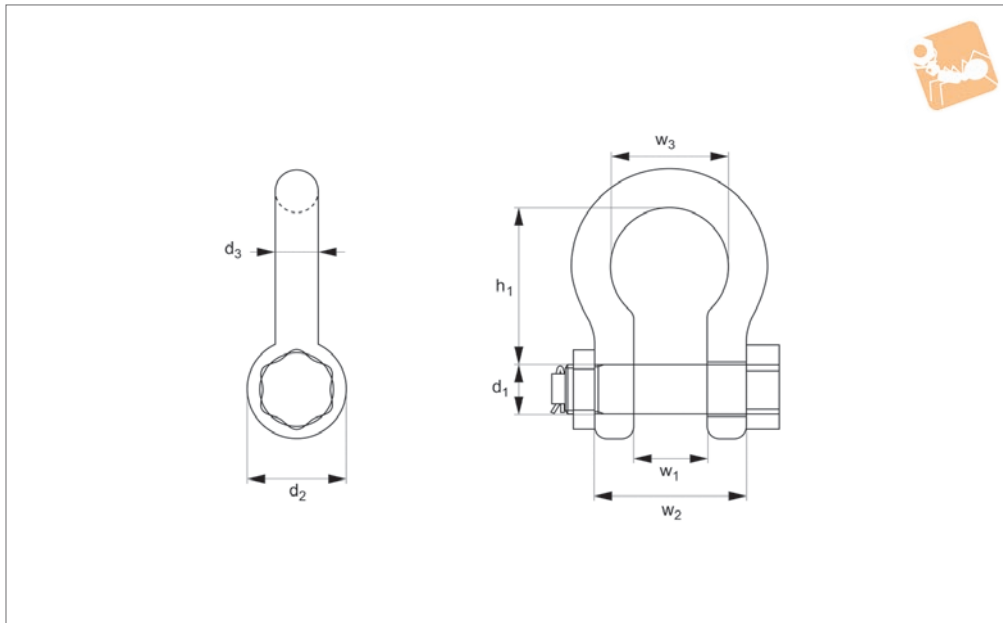




High-tensile Steel Bow Shackles

with pin, nut and cotter

Lifting Pins, Lifting Bolts &



P4099

LIFTING PINS, LIFTING BOLTS & SWING BOLTS

Material

High-tensile steel.

Pin: hot-dip galvanized and lacquered;

shackle: hot-dip galvanized.

CE marked.

Order No.	d ₁	d ₂	d ₃	h ₁	w ₁	w ₂	w ₃	Load kg max.	Weight kg
P4099.008	8	17	6	28	12	25	19	500	0.07
P4099.010	10	21	8	31	13	29	21	750	0.10
P4099.012	12	26	10	36	16	36	26	1000	0.18
P4099.014	14	28	11	42	18	40	29	1500	0.25
P4099.016	16	30	13	48	21	47	33	2000	0.37
P4099.020	20	42	16	60	27	59	43	3250	0.71
P4099.022	22	48	19	71	32	70	51	4750	1.27
P4099.027	27	57	22	84	36	80	58	6500	1.78
P4099.028	28	62	25	95	43	93	68	8500	2.52
P4099.033	33	69	29	109	46	104	74	9500	3.53
P4099.036	36	78	32	119	52	116	82	12000	5.04
P4099.039	39	86	35	133	57	127	92	13500	6.84
P4099.042	42	94	38	146	60	136	98	17000	8.78
P4099.052	52	112	44	178	73	161	127	25000	14.1
P4099.055	55	127	51	197	83	185	146	35000	20.9
P4099.070	70	152	64	267	105	232	184	55000	39.9
P4099.082	82	200	76	330	127	279	200	85000	62.0
P4099.095	95	220	92	374	137	321	232	120000	109.0
P4099.108	108	240	104	372	145	353	250	150000	130.0