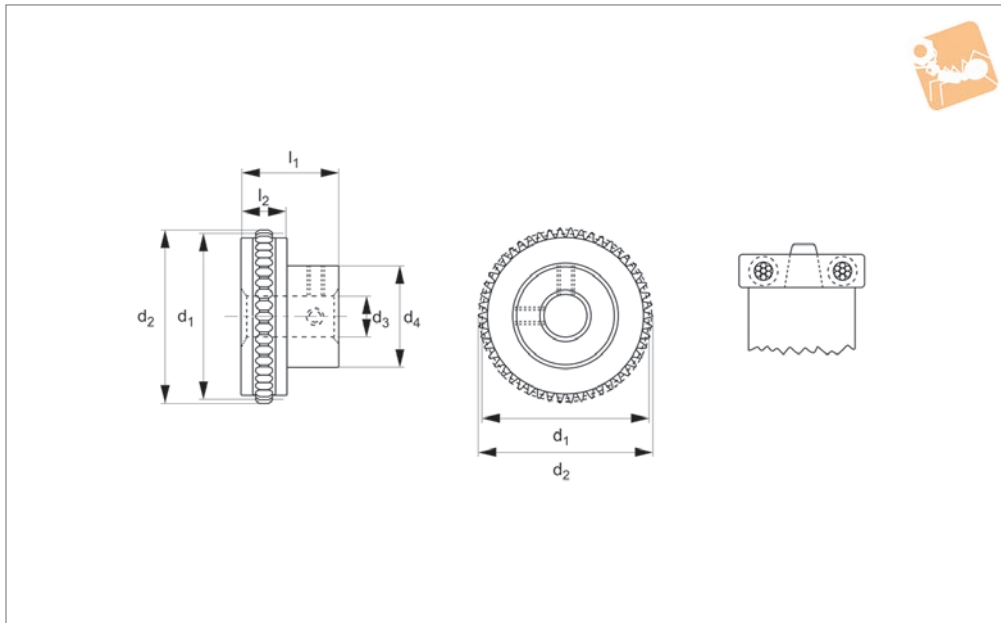




Chain Sprockets - aluminium, pin hub

9,525mm circular pitch



R1071

Material

Aluminium DIN 3,1355 anodized.

recommended for idler use only.

Other no's of teeth are available on request.

Important Notes

Operate with R1070 series chain.

Technical Notes

¹Sprockets with Ø35mm PD and smaller are

Order No.	Bore dia.	No. of teeth	Pitch dia.	Outside dia.
R1071.008-08-AL	Ø8	8 ¹	24.19	29.27
R1071.015-08-AL	Ø8	15	45.36	50.44
R1071.016-08-AL	Ø8	16	48.39	53.47
R1071.009-08-AL	Ø8	9 ¹	27.22	32.30
R1071.010-08-AL	Ø8	10 ¹	30.24	35.32
R1071.011-08-AL	Ø8	11 ¹	33.27	38.35
R1071.012-08-AL	Ø8	12	36.29	41.37
R1071.018-08-AL	Ø8	18	54.43	59.51
R1071.020-08-AL	Ø8	20	60.48	65.56
R1071.014-08-AL	Ø8	14	42.34	47.42
R1071.024-08-AL	Ø8	24	72.58	77.66
R1071.025-08-AL	Ø8	25	75.60	80.68
R1071.030-08-AL	Ø8	30	90.72	95.80
R1071.032-08-AL	Ø8	32	96.77	101.85
R1071.036-08-AL	Ø8	36	108.87	113.95
R1071.040-08-AL	Ø8	40	120.96	126.04
R1071.048-08-AL	Ø8	48	145.16	150.24
R1071.008-10-AL	Ø10	8 ¹	24.19	29.27
R1071.009-10-AL	Ø10	9 ¹	27.22	32.30
R1071.010-10-AL	Ø10	10 ¹	30.24	35.32
R1071.011-10-AL	Ø10	11 ¹	33.27	38.35
R1071.012-10-AL	Ø10	12	36.29	41.37
R1071.014-10-AL	Ø10	14	42.34	47.42
R1071.015-10-AL	Ø10	15	45.36	50.44
R1071.016-10-AL	Ø10	16	48.39	53.47
R1071.018-10-AL	Ø10	18	54.43	59.51
R1071.020-10-AL	Ø10	20	60.48	65.56
R1071.024-10-AL	Ø10	24	72.58	77.66
R1071.025-10-AL	Ø10	25	75.60	80.68
R1071.030-10-AL	Ø10	30	90.72	95.80
R1071.032-10-AL	Ø10	32	96.77	101.85
R1071.036-10-AL	Ø10	36	108.87	113.95
R1071.040-10-AL	Ø10	40	120.96	126.04
R1071.048-10-AL	Ø10	48	145.16	150.24



Order No.	Bore dia.	No. of teeth	Pitch dia.	Outside dia.
R1071.008-12-AL	Ø12	8 ¹	24.19	29.27
R1071.009-12-AL	Ø12	9 ¹	27.22	32.30
R1071.010-12-AL	Ø12	10 ¹	30.24	35.32
R1071.011-12-AL	Ø12	11 ¹	33.27	38.35
R1071.012-12-AL	Ø12	12	36.29	41.37
R1071.014-12-AL	Ø12	14	42.34	47.42
R1071.015-12-AL	Ø12	15	45.36	50.44
R1071.016-12-AL	Ø12	16	48.39	53.47
R1071.018-12-AL	Ø12	18	54.43	59.51
R1071.020-12-AL	Ø12	20	60.48	65.56
R1071.024-12-AL	Ø12	24	72.58	77.66
R1071.025-12-AL	Ø12	25	75.60	80.68
R1071.030-12-AL	Ø12	30	90.72	95.80
R1071.032-12-AL	Ø12	32	96.77	101.85
R1071.036-12-AL	Ø12	36	108.87	113.95
R1071.040-12-AL	Ø12	40	120.96	126.04
R1071.048-12-AL	Ø12	48	145.16	150.24