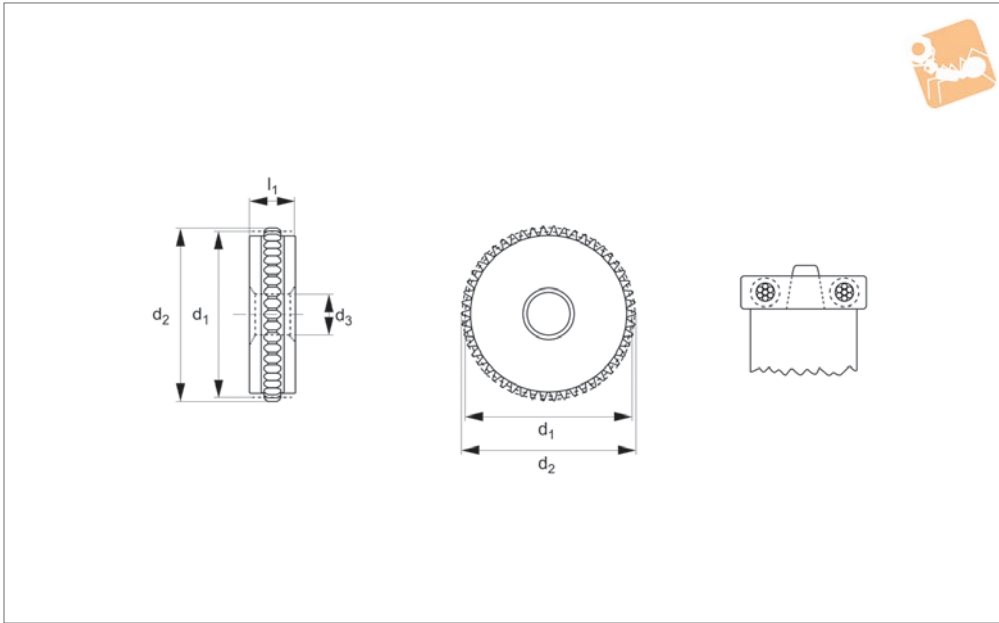




Chain Sprockets - aluminium, hubless

9,525mm circular pitch

Chains, Belts & Pulleys



R1072

CHAINS, BELTS & PULLEYS

Material

Aluminium DIN 3,1355 anodized.

recommended for idler use only.
Other no's of teeth are available on request.

Important Notes

Operate with R1070 series chain.

Technical Notes

¹Sprockets with Ø35mm PD and smaller are

Order No.	No. of teeth	Pitch dia.	Outside dia.
R1072.008-10-HL	8 ¹	24.19	29.27
R1072.009-10-HL	9 ¹	27.22	32.30
R1072.010-10-HL	10 ¹	30.24	35.32
R1072.011-10-HL	11 ¹	33.27	38.35
R1072.012-10-HL	12	36.29	41.37
R1072.014-10-HL	14	42.34	47.42
R1072.015-10-HL	15	45.36	50.44
R1072.016-10-HL	16	48.39	53.47
R1072.018-10-HL	18	54.43	59.51
R1072.020-10-HL	20	60.48	65.56
R1072.024-10-HL	24	72.58	77.66
R1072.025-10-HL	25	75.60	80.68
R1072.030-10-HL	30	90.72	95.80
R1072.032-10-HL	32	96.77	101.85
R1072.036-10-HL	36	108.87	113.95
R1072.040-10-HL	40	120.96	126.04
R1072.048-10-HL	48	145.16	150.24