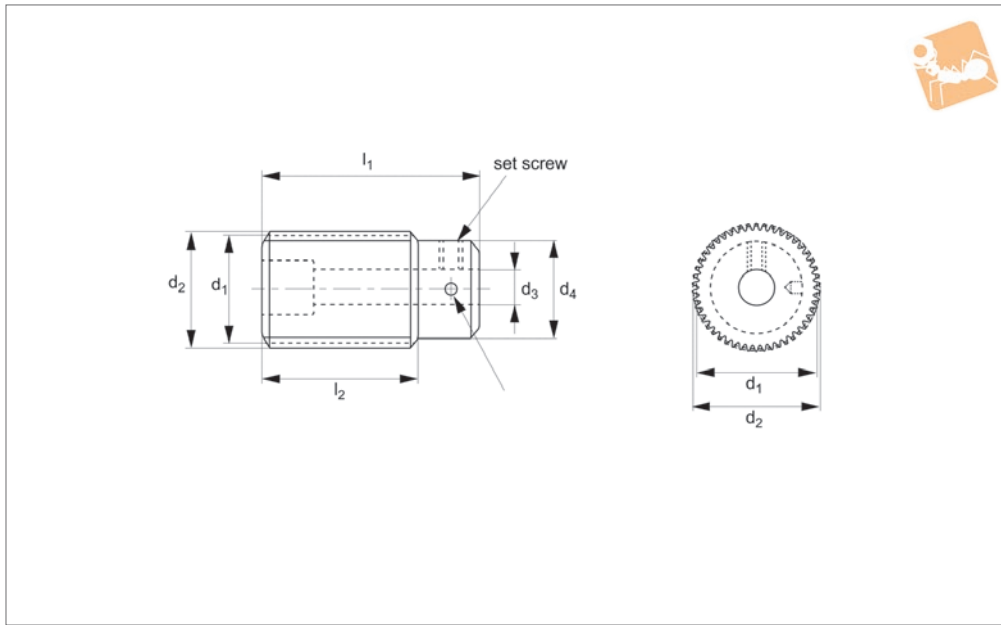




1,5 Module Precision Worms

stainless steel

Other Precision
Gears



R2132

OTHER PRECISION GEARS

Material

Stainless steel (DIN 1,4305).

Technical Notes

Quality class DIN 7/AGMA 10.
Right hand.

Order No.	Ø B	Thread	Lead	Lead angle	Pressure angle
WAS-7S	7	Single	4.712	5° 21'	14½°
WAS-7D	7	Double	9.425	10° 37'	14½°
WAS-7F	7	Four	18.850	20° 33'	20°
WAS-8S	8	Single	4.712	5° 21'	14½°
WAS-8D	8	Double	9.425	10° 37'	14½°
WAS-8F	8	Four	18.850	20° 33'	20°