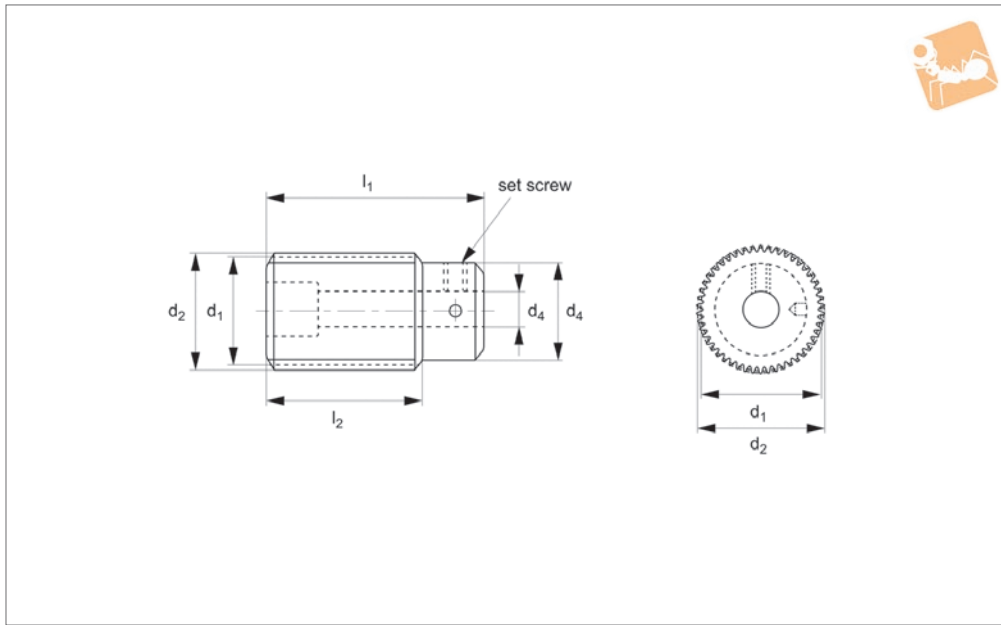




0,8 Module Precision Worms

stainless steel

Other Precision Gears



R2140

OTHER PRECISION GEARS

Material

Stainless steel (DIN 1,4305).

Technical Notes

Quality class DIN 7/AGMA 10.
Right hand.

Order No.	Starts	Lead	Lead angle	Pressure angle
R2140.05S	Single	2.513	4° 0'	14½°
R2140.05D	Double	5.027	7° 59'	20°
R2140.04F	Four	10.053	15° 40'	25°