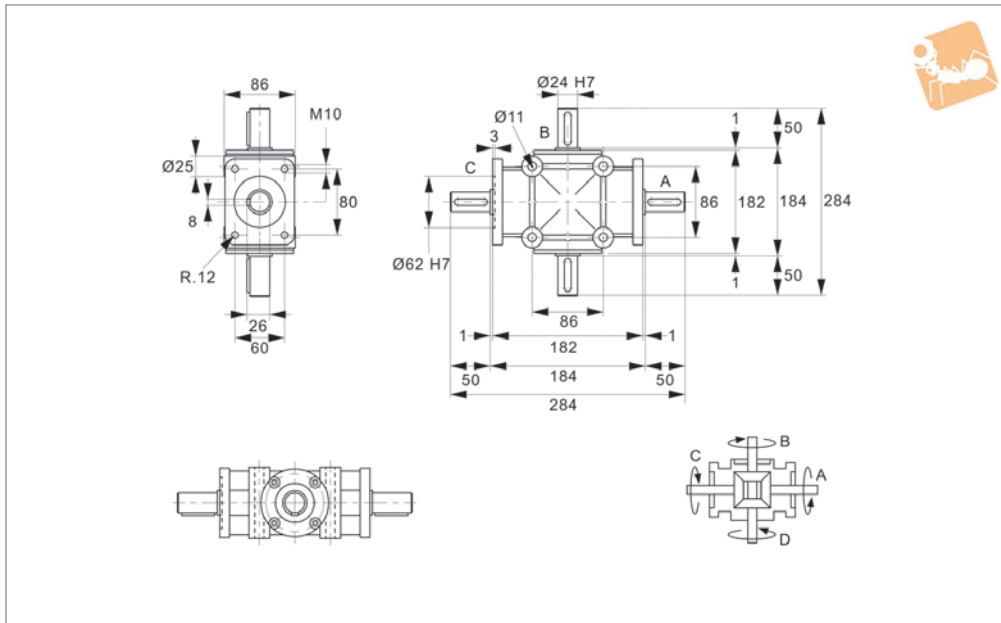




# Right Angle Drives - 4 Shafts

Ø24 shafts

## Right Angle Gear Boxes



**R2345**

RIGHT ANGLE GEAR BOXES

**Material**

Lightweight aluminium alloy housing.  
Case-hardened steel gears and shafts.

**Technical Notes**

Normally used as speed reducers.  
Shaft A is the input shaft. Optimum performance based on max. 1400 rpm input.  
Provides on average 10,000 hours trouble-

free life.

Where ratio geared units are used as speed increasers the optimum input speed is 750 rpm for 1:2 ratios.  
Very low operating noise levels. Temperature range is -20° to +80°.  
Max. radial loading :50 Kg.  
Max. axial loading: 10 Kg.

Angular alignment: 15' to 30' of arc.

**Tips**

See technical pages for gear box selection guide, based on motor rating, gearing ratio, load type and expected hourly usage hours.

Order No.	Gear ratio	Drive type	Shaft dia.	Input power at 1400 rpm (Shaft A) kW max.	Torque output (Shaft B) Nm max.	Torque output (Shaft C) Nm max.	Torque output (Shaft D) Nm max.	Weight kg
R2345.1	1:1	1 and 2	24	4,4	10	10	10	6,10