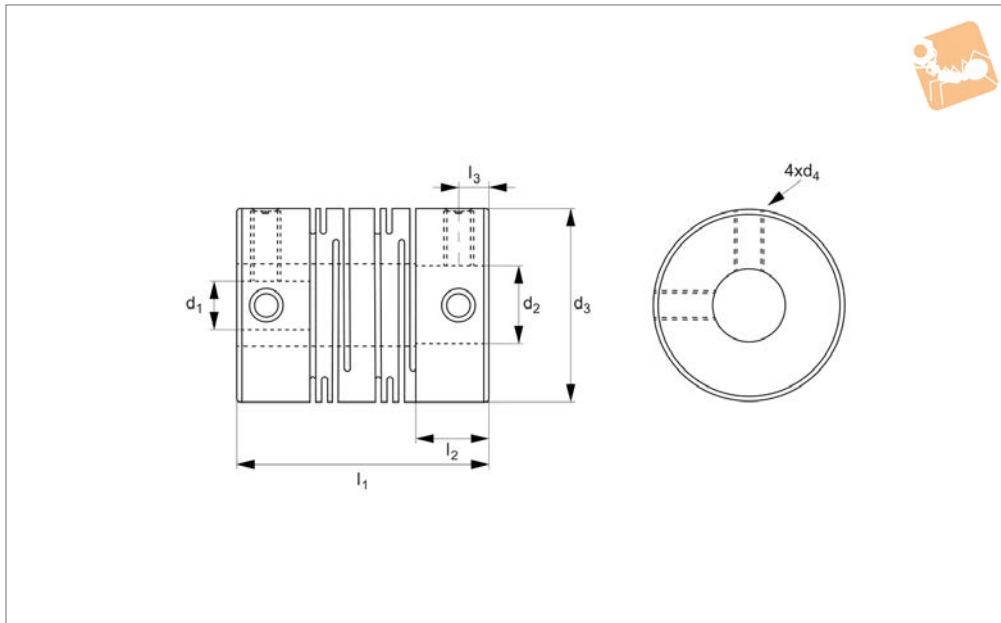
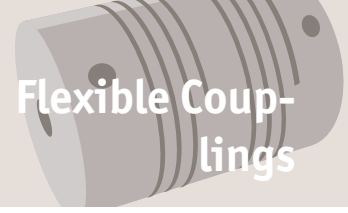




Spiral Beam Coupling - Stainless Steel

set screw - long type

Flexible Couplings



R3002.2

FLEXIBLE COUPLINGS

Material

Stainless steel, SUS303

Technical Notes

Zero backlash.

The flexure allowed by the beam portion of the coupling is capable of accommodating

parallel, angular and axial misalignment. High wrench torque rigidity and sensitivity. Rotation character of clockwise or anti-clockwise are exactly the same. Free maintenance, oil-resist and anti-

corrosiveness. Offset of angular, parallel or axial deviation are individual allowed value, so couple reasons of axial offset appearing at the same time would reduce unit allowable value.

Order No.	d ₁	d ₂	d ₃	d ₄	l ₁	l ₂	l ₃
R3002.E-5-6	5	6	25	4	31	8.5	4.0
R3002.E-6-6	6	6	25	4	31	8.5	4.0
R3002.E-6-8	6	8	25	4	31	8.5	4.0
R3002.E-6-10	6	10	25	4	31	8.5	4.0
R3002.E-8-8	8	8	25	4	31	8.5	4.0
R3002.E-8-10	8	10	25	4	31	8.5	4.0
R3002.E-8-12	8	12	25	4	31	8.5	4.0
R3002.E-10-10	10	10	25	4	31	8.5	4.0
R3002.E-10-11	10	11	25	4	31	8.5	4.0
R3002.E-10-12	10	12	25	4	31	8.5	4.0
R3002.E-12-12	12	12	25	4	31	8.5	4.0
R3002.F-6-8	6	8	32	4	41	12	6.0
R3002.F-8-8	8	8	32	4	41	12	6.0
R3002.F-8-10	8	10	32	4	41	12	6.0
R3002.F-8-12	8	12	32	4	41	12	6.0
R3002.F-10-10	10	10	32	4	41	12	6.0
R3002.F-10-11	10	11	32	4	41	12	6.0
R3002.F-10-12	10	12	32	4	41	12	6.0
R3002.F-10-14	10	14	32	4	41	12	6.0
R3002.F-12-12	12	12	32	4	41	12	6.0
R3002.F-12-14	12	14	32	4	41	12	6.0
R3002.F-14-14	14	14	32	4	41	12	6.0
R3002.F-14-16	14	16	32	4	41	12	6.0
R3002.G-10-10	10	10	40	5	56	17	8.5
R3002.G-12-12	12	12	40	5	56	17	8.5
R3002.G-14-14	14	14	40	5	56	17	8.5
R3002.G-14-16	14	16	40	5	56	17	8.5
R3002.G-14-18	14	18	40	5	56	17	8.5
R3002.G-15-15	15	15	40	5	56	17	8.5
R3002.G-16-16	16	16	40	5	56	17	8.5
R3002.G-16-18	16	18	40	5	56	17	8.5
R3002.G-18-18	18	18	40	5	56	17	8.5