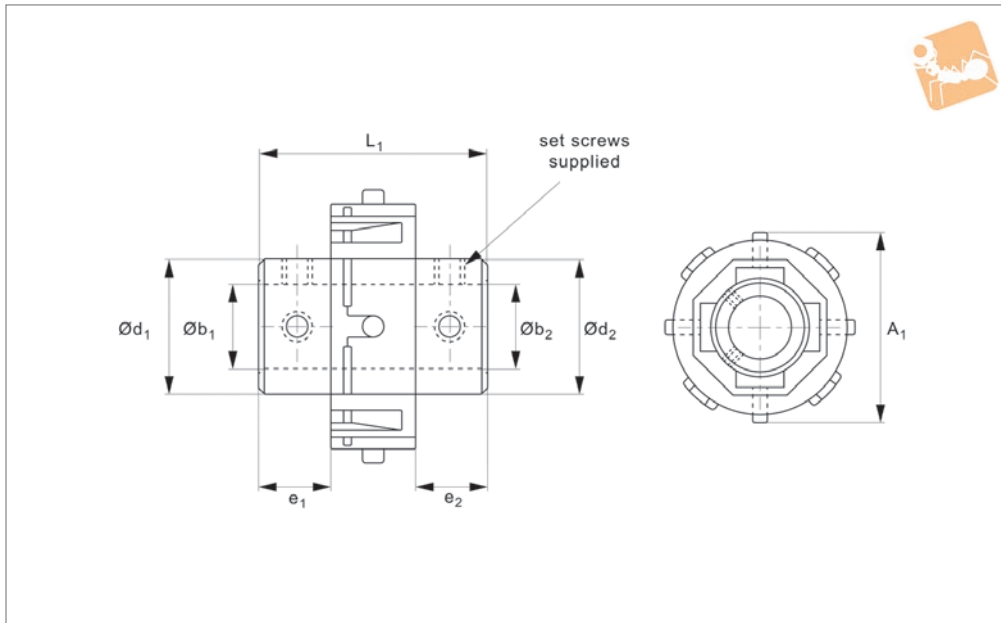
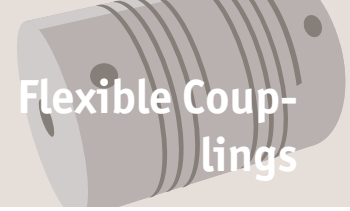




Universal Lateral coupling screw version

Flexible Couplings



R3062

FLEXIBLE COUPLINGS

Material

Delrin outer ring, brass or aluminium hub.

Offers simultaneous lateral and angular misalignment.

Shaft can pass through for easy installation.

Technical Notes

Zero backlash, low inertia.

Corrosion resistant, no lubrication required, resonance damping.

Max. lateral misalignment 0,05.
Max. operating temperature +60°C.

Order No.	Hub	d ₁ +0.03	d ₂ +0.03	d ₃	d ₄	d ₅	l ₁	l ₂	l ₃	Torque Ncm max.	Angle misalign. max.	Parallel misalign. max.
R3062.003-003-BR	Brass	3	3	8.9	8.9	18	14.2	4.0	4.0	27	10°	1.3
R3062.004-004-BR	Brass	4	4	8.9	8.9	18	14.2	4.0	4.0	27	10°	1.3
R3062.005-005-BR	Brass	5	5	8.9	8.9	18	14.2	4.0	4.0	27	10°	1.3
R3062.004-006-BR	Brass	4	6	8.9	11.1	18	16.7	4.0	6.5	27	10°	1.3
R3062.006-006-BR	Brass	6	6	11.1	11.1	18	19.1	6.5	6.5	27	10°	1.3
R3062.003-006-BR	Brass	3	6	12.7	12.7	27.2	19.1	4.8	4.8	169	10°	1.3
R3062.103-004-BR	Brass	4	4	12.7	12.7	27.2	19.1	4.8	4.8	169	10°	1.3
R3062.104-006-BR	Brass	4	6	12.7	12.7	27.2	19.1	4.8	4.8	169	10°	1.3
R3062.106-006-BR	Brass	6	6	12.7	12.7	27.2	19.1	4.8	4.8	169	10°	1.3
R3062.006-010-BR	Brass	6	10	12.7	15.1	27.2	22.3	4.8	7.9	169	10°	1.3
R3062.008-008-BR	Brass	8	8	15.1	15.1	27.2	25.4	7.9	7.9	86	10°	1.3
R3062.010-010-BR	Brass	10	10	15.1	15.1	27.2	25.4	7.9	7.9	86	10°	1.3
R3062.006-006-AL	Alum.	6	6	17.6	17.6	33.7	25.2	7.6	7.6	248	10°	1.3
R3062.006-010-AL	Alum.	6	10	17.6	17.6	33.7	25.2	7.6	7.6	248	10°	1.3
R3062.008-008-AL	Alum.	8	8	17.6	17.6	33.7	25.2	7.6	7.6	248	10°	1.3
R3062.010-012-AL	Alum.	10	12	17.6	20.1	33.7	28.0	7.6	10.2	248	10°	1.3
R3062.012-012-AL	Alum.	12	12	20.1	20.1	33.7	30.7	10.2	10.2	248	10°	1.3
R3062.106-006-AL	Alum.	6	6	22.1	22.1	41.4	28.4	7.6	7.6	429	10°	1.3
R3062.007-007-AL	Alum.	7	7	22.1	22.1	41.4	28.4	7.6	7.6	429	10°	1.3
R3062.108-008-AL	Alum.	8	8	22.1	22.1	41.4	28.4	7.6	7.6	429	10°	1.3
R3062.010-010-AL	Alum.	10	10	22.1	22.1	41.4	28.4	7.6	7.6	429	10°	1.3
R3062.016-016-AL	Alum.	16	16	24.2	24.2	41.4	38.1	12.5	12.5	429	10°	1.3