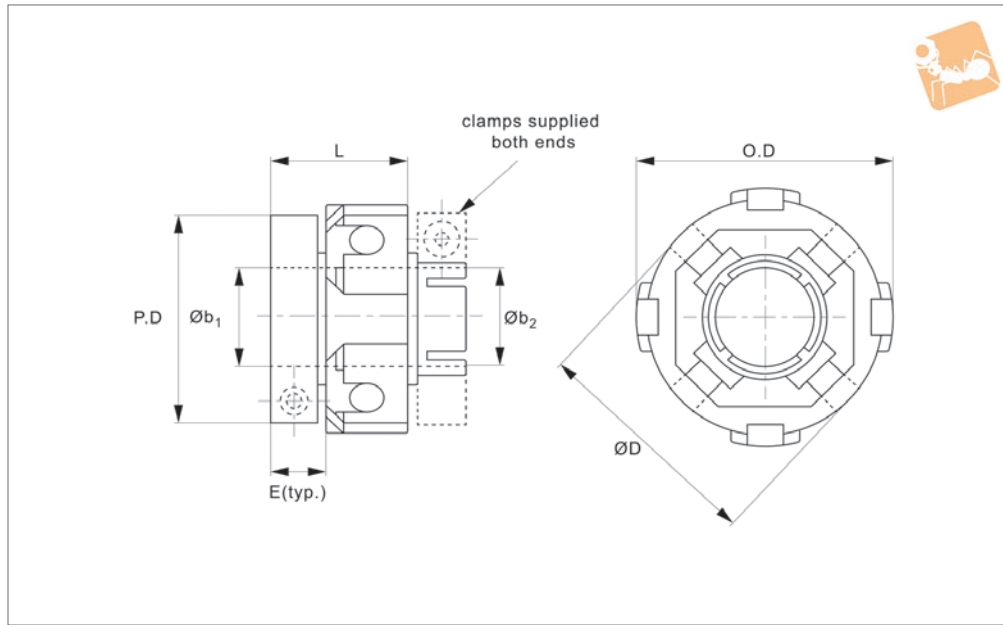
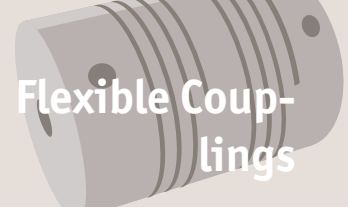




Universal Lateral coupling clamp version

Flexible Couplings



R3063

FLEXIBLE COUPLINGS

Material

Delrin outer ring, brass or aluminium hub.

Technical Notes

Zero backlash, low inertia.
Offers simultaneous lateral and angular misalignment.

Corrosion resistant, no lubrication required.

Resonance damping, shaft can pass through for easy installation.
Max. lateral misalignment 1,0
Max. operating temperature +60°C.

Tips

Clamp hub is integral to hub on C029 series.
Additional bore sizes on request.

Order No.	Hub	d_1 +0.03 -0.00	d_2 +0.03 -0.00	d_3	d_4	l_1	l_2	Torque Ncm max.	Angle misalign. max.
R3063.003-006-BR	Brass	3.18	6.35	19.1	19.1	19.1	6.5	27	10°
R3063.006-006-BR	Brass	6.00	6.00	19.1	19.1	19.1	6.5	27	10°
R3063.106-006-BR	Brass	6.35	6.35	19.1	19.1	19.1	6.5	27	10°
R3063.005-005-BR	Brass	5.00	5.00	27.2	27.9	25.4	7.9	169	10°
R3063.206-006-BR	Brass	6.00	6.00	27.2	27.9	25.4	7.9	169	10°
R3063.006-008-BR	Brass	6.00	8.00	27.2	27.9	25.4	7.9	169	10°
R3063.007-007-BR	Brass	7.00	7.00	27.2	27.9	25.4	7.9	169	10°
R3063.006-006-AL	Alum.	6.00	6.00	20.1	33.7	30.7	10.2	248	10°
R3063.006-008-AL	Alum.	6.00	8.00	20.1	33.7	30.7	10.2	248	10°
R3063.008-010-AL	Alum.	8.00	10.00	20.1	33.7	30.7	10.2	248	10°
R3063.010-010-AL	Alum.	10.00	10.00	20.1	33.7	30.7	10.2	248	10°
R3063.106-006-AL	Alum.	6.00	6.00	24.2	41.4	38.1	12.5	429	10°
R3063.006-012-AL	Alum.	6.00	12.00	24.2	41.4	38.1	12.5	429	10°
R3063.008-008-AL	Alum.	8.00	8.00	24.2	41.4	38.1	12.5	429	10°
R3063.010-012-AL	Alum.	10.00	12.00	24.2	41.4	38.1	12.5	429	10°
R3063.011-011-AL	Alum.	11.00	11.00	24.2	41.4	38.1	12.5	429	10°
R3063.012-012-AL	Alum.	12.00	12.00	24.2	41.4	38.1	12.5	429	10°