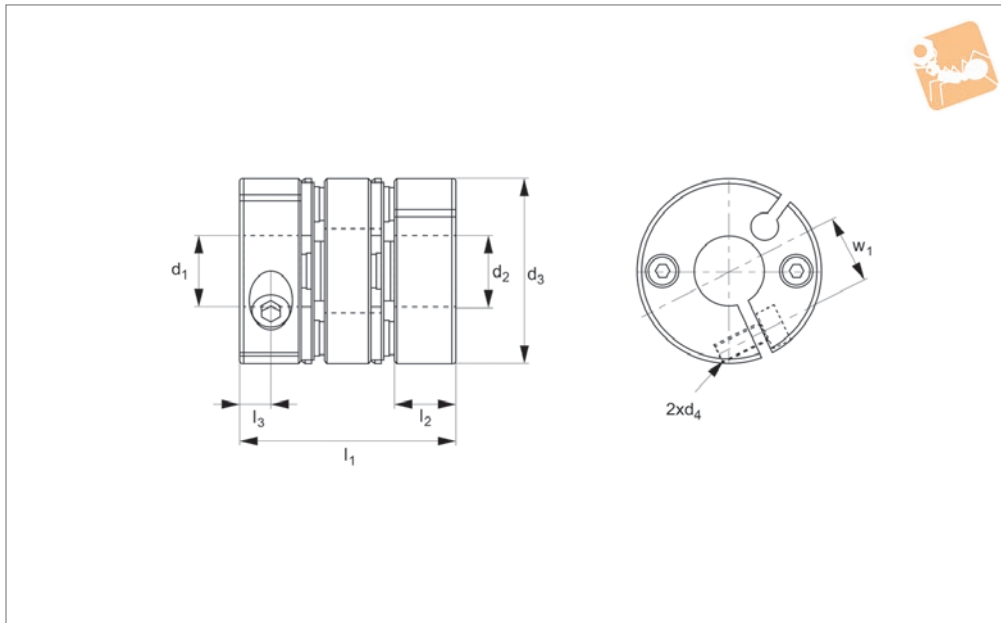
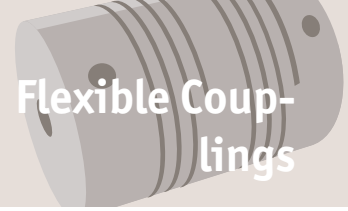




Double Disc Coupling - Aluminium

high rigidity clamp fixing - long type

Flexible Couplings



R3064

FLEXIBLE COUPLINGS

Material

Mainframe: Anodized aluminium - AL 7075
 Disk: Stainless steel - SUS303

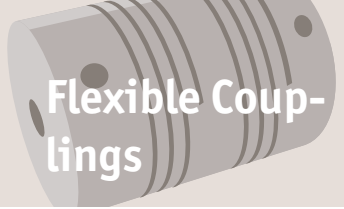
Technical Notes

High wrench torque load, high wrench torque rigidity capacity and excellent sensibility.

The flexure allowed by stainless steel disc portion of the coupling is capable of accommodating angular, parallel and axial misalignment. Teethless screw to lock disks, zero backlash Clockwise character is exactly the same as anti-clockwise one.

Free maintenance, oil-resist and anti corrosiveness. Offset of angular, parallel or axial deviation are individual allowed value, so couple reasons of axial offset appearing at same time would reduce the unit allowable value.

Order No.	d ₁ & d ₂ tol. h8	d ₃	d ₄	l ₁	l ₂	l ₃	w	Clamping screw lock torque Nm
R3064.A-4	4	21	M2,5	24.5	7	3.5	7	1.2
R3064.A-5	5	21	M2,5	24.5	7	3.5	7	1.2
R3064.A-6	6	21	M2,5	24.5	7	3.5	7	1.2
R3064.A-8	8	21	M2,5	24.5	7	3.5	7	1.2
R3064.A-9	9	21	M2,5	24.5	7	3.5	7	1.2
R3064.B-5	5	28	M3	32	9	4	9.5	1.5
R3064.B-6	6	28	M3	32	9	4	9.5	1.5
R3064.B-8	8	28	M3	32	9	4	9.5	1.5
R3064.B-9	9	28	M3	32	9	4	9.5	1.5
R3064.B-10	10	28	M3	32	9	4	9.5	1.5
R3064.C-6	6	34	M3	35	9.8	5	12	1.5
R3064.C-8	8	34	M3	35	9.8	5	12	1.5
R3064.C-9	9	34	M3	35	9.8	5	12	1.5
R3064.C-10	10	34	M3	35	9.8	5	12	1.5
R3064.C-11	11	34	M3	35	9.8	5	12	1.5
R3064.C-12	12	34	M3	35	9.8	5	12	1.5
R3064.C-14	14	34	M3	35	9.8	5	12	1.5
R3064.D-8	8	46	M4	44	12.6	6	16.5	3.5
R3064.D-9	9	46	M4	44	12.6	6	16.5	3.5
R3064.D-10	10	46	M4	44	12.6	6	16.5	3.5
R3064.D-11	11	46	M4	44	12.6	6	16.5	3.5
R3064.D-12	12	46	M4	44	12.6	6	16.5	3.5
R3064.D-14	14	46	M4	44	12.6	6	16.5	3.5
R3064.D-15	15	46	M4	44	12.6	6	16.5	3.5
R3064.D-17	17	46	M4	44	12.6	6	16.5	3.5
R3064.D-19	19	46	M4	44	12.6	6	16.5	3.5
R3064.E-12	12	55	M5	55	16	7	20.5	6
R3064.E-14	14	55	M5	55	16	7	20.5	6
R3064.E-15	15	55	M5	55	16	7	20.5	6
R3064.E-17	17	55	M5	55	16	7	20.5	6



Flexible Couplings

Double Disc Coupling - Aluminium

high rigidity clamp fixing - long type



Order No.	d ₁ & d ₂ tol. h8	d ₃	d ₄	l ₁	l ₂	l ₃	w	Clamping screw lock torque Nm
R3064.E-19	19	55	M5	55	16	7	20.5	6
R3064.E-20	20	55	M5	55	16	7	20.5	6
R3064.E-22	22	55	M5	55	16	7	20.5	6
R3064.E-24	24	55	M5	55	16	7	20.5	6
R3064.E-25	25	55	M5	55	16	7	20.5	6

FLEXIBLE COUPLINGS