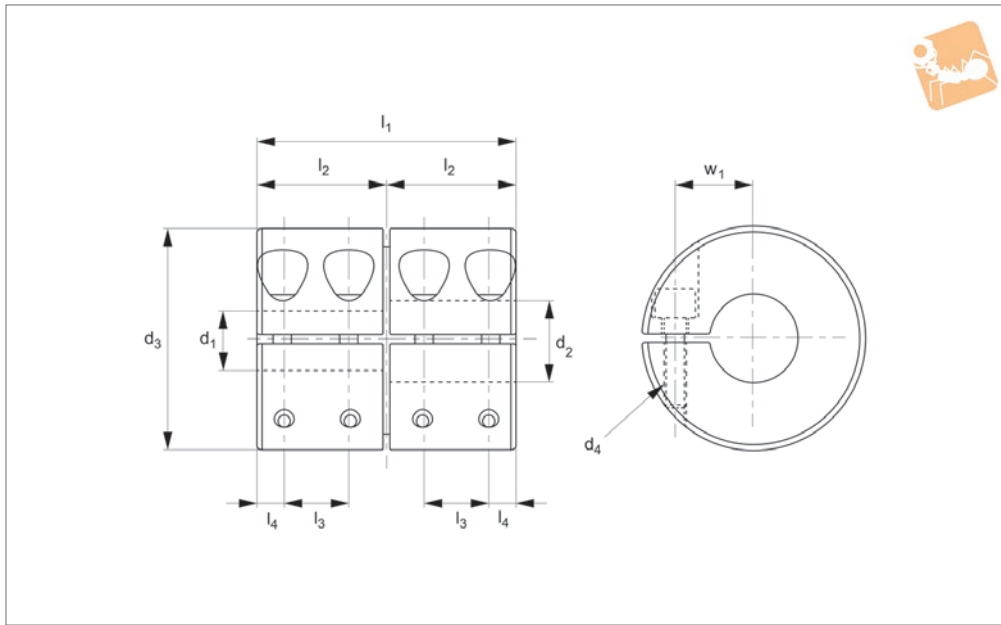




Rigid Shaft Coupling - One Piece

Aluminium, long

Rigid Couplings



R3202

RIGID COUPLINGS

Material

Aluminium alloy, anodized.

Very light with low moment of inertia.

Maintenance free, excellent anti-oil and corrosion resistance.

torque.

Rotational torque is half static torque.

Technical Notes

To fit h_7 or h_8 tolerance shafts.

Reciprocating torque is quarter static

Order No.	d_1 tol. H7/H8	d_2 tol. H7/H8	d_3	d_4	l_1	l_2	l_3	w	Static torque Nm	rpm max.	Moment of inertia kg·m ²	Torque screw to Nm	Weight g
R3202.16-05-05	5	5	16	M 2	22	2,5	5,5	5	0,6	9000	$3,4 \times 10^{-7}$	0,5	10
R3202.16-05-06	5	6	16	M 2	22	2,5	5,5	5	0,6	9000	$3,4 \times 10^{-7}$	0,5	10
R3202.16-06-06	6	6	16	M 2	22	2,5	5,5	5	0,6	9000	$3,4 \times 10^{-7}$	0,5	10
R3202.20-06-06	6	6	20	M 2	24	2,5	6,0	7	1	7000	$9,2 \times 10^{-7}$	0,5	18
R3202.20-06-08	6	8	20	M 2	24	2,5	6,0	7	1	7000	$9,2 \times 10^{-7}$	0,5	18
R3202.20-08-08	8	8	20	M 2	24	2,5	6,0	7	1	7000	$9,2 \times 10^{-7}$	0,5	18
R3202.25-08-08	8	8	25	M2,5	36	4,5	9,0	9	2	6000	$3,4 \times 10^{-6}$	1,0	38
R3202.25-08-10	8	10	25	M2,5	36	4,5	9,0	9	2	6000	$3,4 \times 10^{-6}$	1,0	38
R3202.25-10-10	10	10	25	M2,5	36	4,5	9,0	9	2	6000	$3,4 \times 10^{-6}$	1,0	38
R3202.32-10-10	10	10	32	M 3	40	4,0	10,0	11	4	4500	$1,0 \times 10^{-5}$	1,5	70
R3202.32-10-12	10	12	32	M 3	40	4,0	10,0	11	4	4500	$1,0 \times 10^{-5}$	1,5	70
R3202.32-10-14	10	14	32	M 3	40	4,0	10,0	11	4	4500	$1,0 \times 10^{-5}$	1,5	70
R3202.32-12-12	12	12	32	M 3	40	4,0	10,0	11	4	4500	$1,0 \times 10^{-5}$	1,5	70
R3202.32-12-14	12	14	32	M 3	40	4,0	10,0	11	4	4500	$1,0 \times 10^{-5}$	1,5	70
R3202.32-14-14	14	14	32	M 3	40	4,0	10,0	11	4	4500	$1,0 \times 10^{-5}$	1,5	70