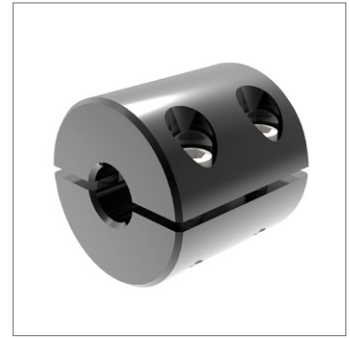
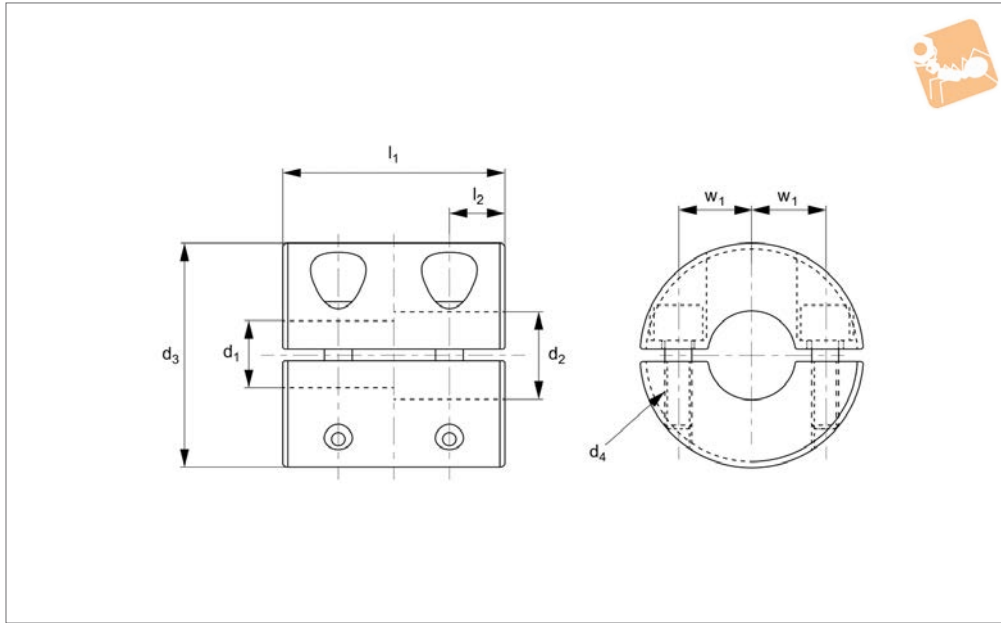
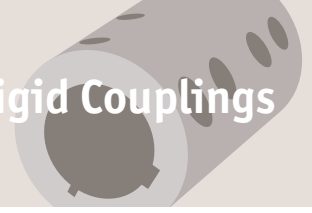




Rigid Shaft Coupling - Two Piece

Aluminium, short

Rigid Couplings



R3206

RIGID COUPLINGS

Material

Aluminium alloy, Stainless steel screw (A2).

Technical Notes

To fit h_7 or h_8 tolerance shafts.

Very light with low moment of inertia.

Maintenance free, excellent anti-oil and corrosion resistance.

Reciprocating torque is quarter static torque.

Rotational torque is half static torque.

Important Notes

Different bore sizes available on request. For keyways, please add „-KW“ suffix when ordering.

Order No.	d_1 tol. H7/H8	d_2 tol. H7/H8	d_3	d_4	l_1	l_2	Static torque Nm	rpm max.	Moment of inertia kg·m ²	Torque screw to Nm	Weight g	Weight g
R3206.16-05-05	5	5	16	M2,5	16	4	0.6	9500	$3,2 \times 10^{-7}$	1.0	9	9
R3206.16-05-06	5	6	16	M2,5	16	4	0.6	9500	$3,2 \times 10^{-7}$	1.0	9	9
R3206.16-06-06	6	6	16	M2,5	16	4	0.6	9500	$3,2 \times 10^{-7}$	1.0	9	9
R3206.20-06-06	6	6	20	M2,5	20	5	1	7600	$8,7 \times 10^{-7}$	1.0	15	15
R3206.20-06-08	6	8	20	M2,5	20	5	1	7600	$8,7 \times 10^{-7}$	1.0	15	15
R3206.20-08-08	8	8	20	M2,5	20	5	1	7600	$8,7 \times 10^{-7}$	1.0	15	15
R3206.25-08-08	8	8	25	M 3	25	6	2	6100	$2,7 \times 10^{-6}$	1.5	29	29
R3206.25-08-10	8	10	25	M 3	25	6	2	6100	$2,7 \times 10^{-6}$	1.5	29	29
R3206.25-10-10	10	10	25	M 3	25	6	2	6100	$2,7 \times 10^{-6}$	1.5	29	29
R3206.32-10-10	10	10	32	M 4	32	8	4	4800	$9,3 \times 10^{-6}$	2.5	61	61
R3206.32-10-12	10	12	32	M 4	32	8	4	4800	$9,3 \times 10^{-6}$	2.5	61	61
R3206.32-10-14	10	14	32	M 4	32	8	4	4800	$9,3 \times 10^{-6}$	2.5	61	61
R3206.32-12-12	12	12	32	M 4	32	8	4	4800	$9,3 \times 10^{-6}$	2.5	61	61
R3206.32-12-14	12	14	32	M 4	32	8	4	4800	$9,3 \times 10^{-6}$	2.5	61	61
R3206.32-14-14	14	14	32	M 4	32	8	4	4800	$9,3 \times 10^{-6}$	2.5	61	61