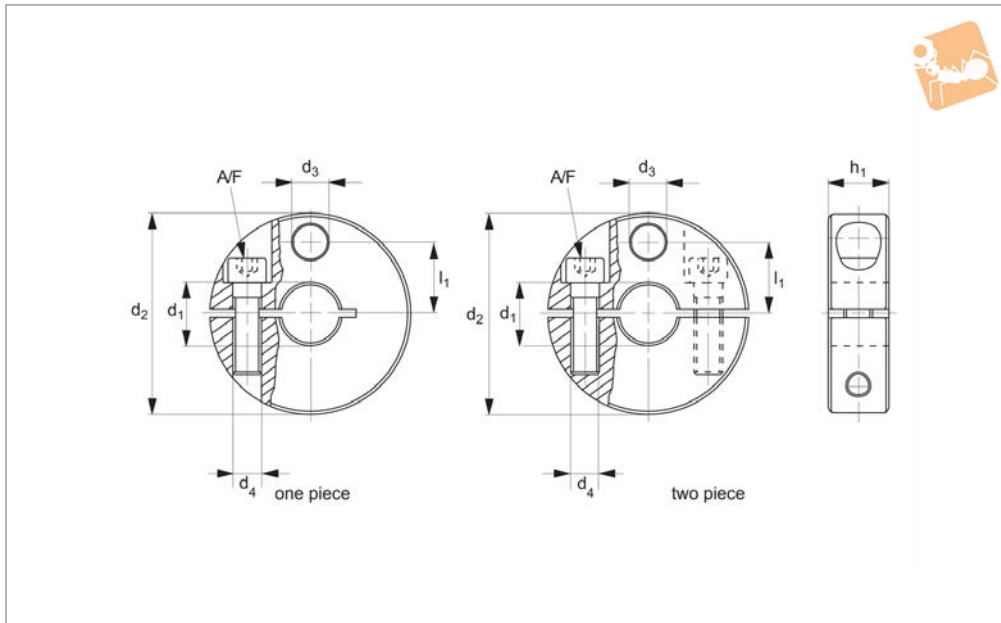




Set Collars

sensor adapter - stainless steel

Rigid Couplings



R3213

RIGID COUPLINGS

Material

Set collar and screw: stainless steel (AISI 420, 1.4021).

Technical Notes

Clamping ring made of stainless steel with

strong clamping force. Available in two versions, slotted (one piece) and divided (two piece). Clamping rings with $d_1 > 10\text{mm}$ supplied with fixing hole (d_3) for the mounting of sensors, switches etc.

Order No.	Type	d_1 tol. H8	d_2 -0.5	d_3	d_4	l_1	h_1	A/F	Weight g
R3213.100-1	One piece	10	40	6.5	M 5	14.5	12	4	99
R3213.120-1	One piece	12	40	6.5	M 5	14.5	12	4	94
R3213.140-1	One piece	14	45	9.0	M 6	16.5	13	5	125
R3213.150-1	One piece	15	45	9.0	M 6	16.5	13	5	122
R3213.160-1	One piece	16	45	9.0	M 6	16.5	13	5	120
R3213.180-1	One piece	18	50	9.0	M 6	18.5	13	5	151
R3213.200-1	One piece	20	50	9.0	M 6	18.5	13	5	144
R3213.220-1	One piece	22	65	13.0	M 8	23.5	18	6	359
R3213.240-1	One piece	24	65	13.0	M 8	23.5	18	6	349
R3213.250-1	One piece	25	65	13.0	M 8	23.5	18	6	345
R3213.300-1	One piece	30	75	13.0	M 8	27.0	20	6	108
R3213.320-1	One piece	32	80	13.0	M 8	30.0	20	6	588
R3213.350-1	One piece	35	80	13.0	M 8	30.0	20	6	566
R3213.100-2	Two piece	10	40	6.5	M 5	14.5	12	4	94
R3213.120-2	Two piece	12	40	6.5	M 5	14.5	12	4	90
R3213.140-2	Two piece	14	45	9.0	M 6	16.5	13	5	114
R3213.150-2	Two piece	15	45	9.0	M 6	16.5	13	5	112
R3213.160-2	Two piece	16	45	9.0	M 6	16.5	13	5	110
R3213.180-2	Two piece	18	50	9.0	M 6	18.5	13	5	142
R3213.200-2	Two piece	20	50	9.0	M 6	18.5	13	5	139
R3213.220-2	Two piece	22	65	13.0	M 8	23.5	18	6	341
R3213.240-2	Two piece	24	65	13.0	M 8	23.5	18	6	330
R3213.250-2	Two piece	25	65	13.0	M 8	23.5	18	6	330
R3213.300-2	Two piece	30	75	13.0	M 8	27.0	20	6	488
R3213.320-2	Two piece	32	80	13.0	M 8	30.0	20	6	564
R3213.350-2	Two piece	35	80	13.0	M 8	30.0	20	6	542