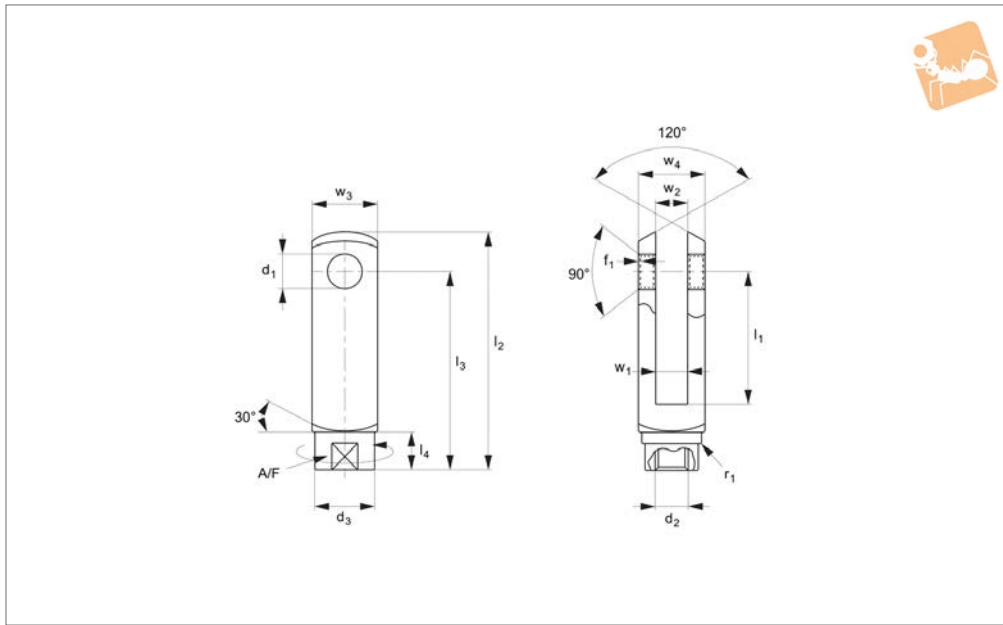




# Rotating Clevis Joint

## DIN 71752

# Clevis Joints & Clips



**R3430**

CLEVIS JOINTS & CLIPS

**Material**  
Steel

.R061 - .R121  $l_3 = \pm 0,40$ .

**Technical Notes**

other tolerances: .R050 - .R060  $l_3 = \pm 0,30$ .

.R050 - .R100  $w_2 = B13$

.R102 - .R121  $w_2 = +0,70$

Order No.	$d_1$	$l_1$	$d_2$	$d_3$	$l_2$	$l_4$	$w_1$	$w_3$	$w_4$	A/F	Static load $d_a$ N	Weight g
<b>R3430.R050</b>	5	10	M5x0,80	8.8	26	4.0	5	10	10	7	80	14
<b>R3430.R051</b>	5	20	M5x0,80	8.8	36	4.0	5	10	10	7	80	25
<b>R3430.R060</b>	6	12	M6x1,00	10.2	31	9.0	6	12	12	9	240	15
<b>R3430.R061</b>	6	24	M6x1,00	10.2	43	5.6	6	12	12	9	240	40
<b>R3430.R081</b>	8	16	M8x1,25	14.0	42	8.2	8	16	16	12	340	36
<b>R3430.R082</b>	8	32	M8x1,25	14.0	58	8.2	8	16	16	12	340	102
<b>R3430.R100</b>	10	20	M10x1,50	17.8	52	11.8	10	20	20	16	600	70
<b>R3430.R102</b>	10	40	M10x1,50	17.8	72	11.5	10	20	20	16	600	186
<b>R3430.R120</b>	12	24	M12x1,75	20.0	62	14.0	12	24	24	18	1400	121
<b>R3430.R121</b>	12	48	M12x1,75	20.0	86	14.0	12	24	24	18	1400	325