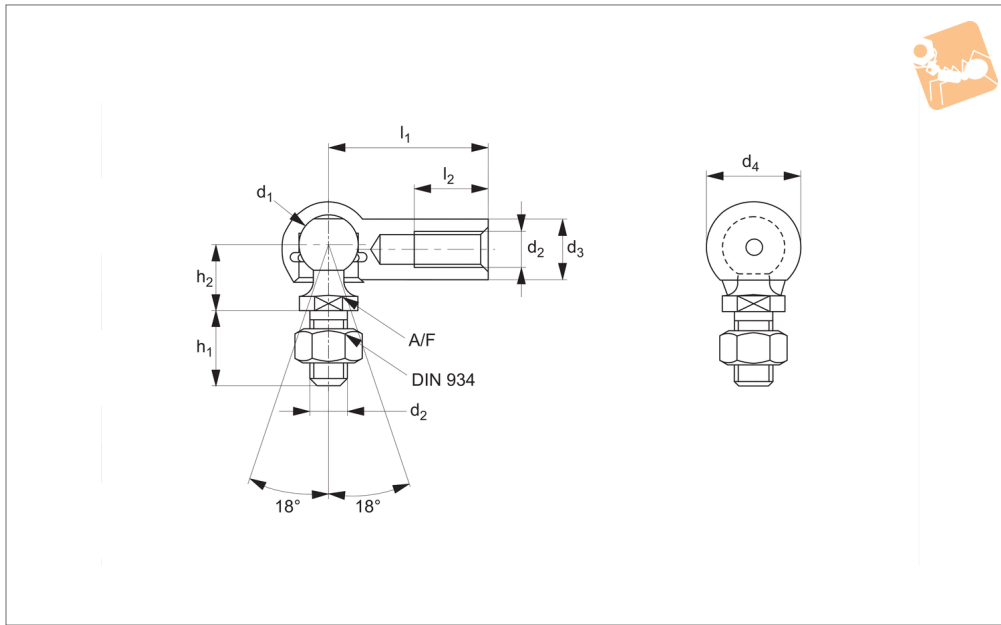




Stainless Ball and Socket Joints

A4 stainless steel

Ball & Socket Joints



R3468

BALL & SOCKET JOINTS

Material

Stainless steel (A4, AISI 316).

Technical Notes

To DIN 71802 form CS, supplied with hexagon nut.
Safety ring aids the retention of the ball

stud in the housing.

Tips

For sealing cap version, see R3476, standard thread is right hand, (for left hand thread see R3467).

Important Notes

Thread is not full length. There is a min 1.5mm unthreaded shank. If using part without the supplied nut, then please consider a counterbore to accommodate the unthreaded shank.

Order No.	Thread hand	d ₁	l ₁ ±0.3	d ₂	d ₃	d ₄	h ₁ ±0.3	Weight g
R3468.R005	Right	8	22	M 5	8	12.8	10.2	15.2
R3468.R006	Right	10	25	M 6	10	14.8	12.5	25.2
R3468.R008	Right	13	30	M 8	13	19.3	16.5	53.1
R3468.R010	Right	16	35	M10	16	24.0	20.0	103.8

Order No.	h ₂ ±0.3	l ₂ min.	A/F tol. h14	Extraction force kg min.	Static load kg max.	Dyn. load C kg max.	Force required for movement kg max.
R3468.R005	9	10.2	7	3	50	20	3
R3468.R006	11	11.5	8	4	100	40	4
R3468.R008	13	14.0	11	6	200	80	6
R3468.R010	16	15.5	13	8	400	160	8