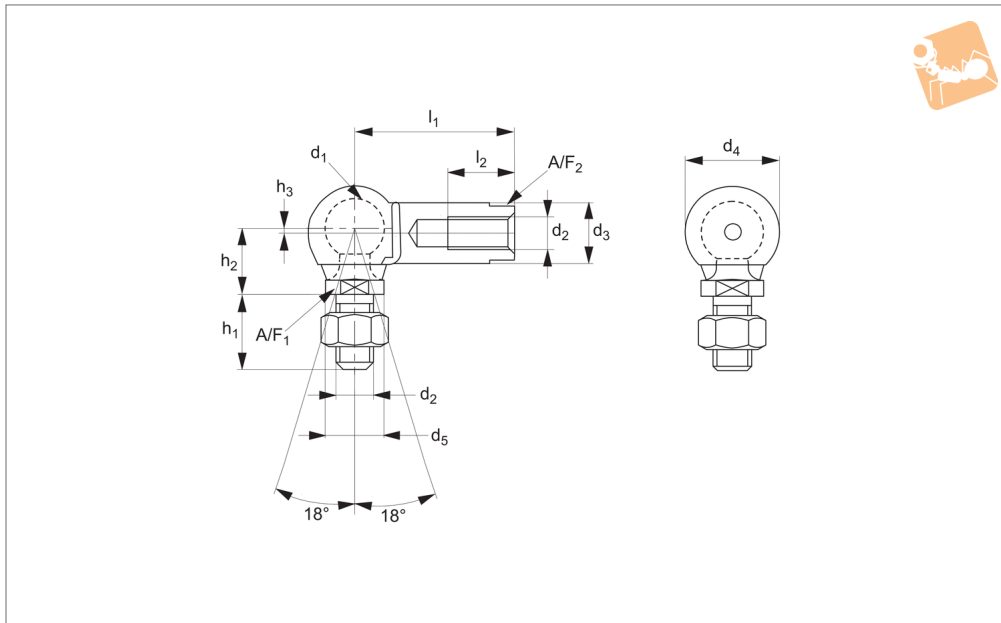




Stainless Ball and Socket Joint

left hand thread - with flats on housing

Ball & Socket Joints



R3497

BALL & SOCKET JOINTS

Material

Stainless steel (A2, AISI 303), sealing cap: neoprene.

Safety ring aids the retention of the ball stud in the housing.

*M14x1,5 is a fine pitch thread.

Important Notes

Thread is not full length. There is a min 1.5mm unthreaded shank. If using part without the supplied nut, then please consider a counterbore to accommodate the unthreaded shank.

Technical Notes

To DIN 71802 form CS, supplied with hexagon nut.

Tips

Stud: right hand thread.
Housing: left hand thread

Order No.	Thread hand	d ₁	l ₁ ±0.3	d ₂	d ₃ ±0.5	d ₄ ±0.5	d ₅ ±0.5	h ₁ ±0.3	h ₂ ±0.3	h ₃	Weight g
R3497.L005	Left	8	22	M5	8	12.8	8	10.0	9	0.65	15.2
R3497.L006	Left	10	25	M6	10	14.8	10	12.5	11	0.70	25.2
R3497.L008	Left	13	30	M8	13	19.3	13	16.5	13	1.15	53.1
R3497.L010	Left	16	35	M10	16	24.0	16	20.0	16	1.15	103.8
R3497.L012	Left	16	35	M12	16	24.0	16	20.0	16	1.15	103.8
R3497.L014	Left	19	45	M14x1,5*	22	30.0	22	28.0	20	0.50	220.9
R3497.L015	Left	19	45	M14	22	30.0	22	28.0	20	0.50	220.9
R3497.L016	Left	19	45	M16	22	30.0	22	28.0	20	0.50	220.9

Order No.	l ₂ min.	A/F ₁	A/F ₂	Extraction force kg min.	Static load kg max.	Dyn. load C kg max.	Force required for movement kg max.
R3497.L005	10.2	7	-	3	50	20	3
R3497.L006	11.5	8	-	4	100	40	4
R3497.L008	14.0	11	-	6	200	80	6
R3497.L010	15.5	13	-	8	400	160	8
R3497.L012	15.5	13	-	8	400	160	8
R3497.L014	21.5	16	19	10	800	320	10
R3497.L015	21.5	16	19	10	800	320	10
R3497.L016	21.5	16	19	10	800	320	10