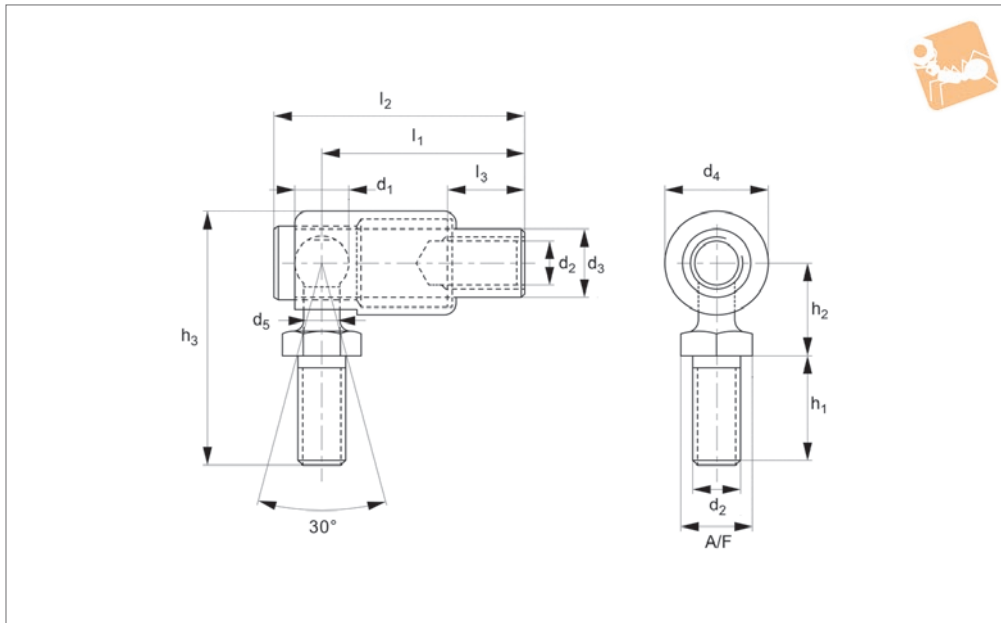




# Quick Release Ball Joints

A2 stainless and steel, zinc-plated

# Ball & Socket Joints



**R3535**

BALL & SOCKET JOINTS

### Material

Body: stainless steel (A2, AISI 303) or steel zinc-plated.

Shield and ball stud: carbon steel.

Body and ball stud: case hardened.

Spring: (302 S26) stainless steel or equivalent, zinc plated.

### Technical Notes

The spring loaded outer shield allows both rapid release and reconnection of the ball stud.

Linkage assemblies can be installed or removed without disturbing pre-set centres.

These are metric equivalents to SAE J 490 Style 1 quick release detachable ball joints.

### Tips

Standard thread is a right hand thread.

Order No.	Thread hand	d <sub>1</sub>	d <sub>2</sub>	l <sub>1</sub>	l <sub>2</sub>	d <sub>3</sub>	d <sub>4</sub>	d <sub>5</sub>	h <sub>1</sub>	h <sub>2</sub>	h <sub>3</sub>	l <sub>3</sub>	A/F	Weight g
R3535.005-ZP	Right	6.35	M 5	23.0	28	7.9	11.1	4.35	11.1	11.9	28.6	11.1	8	17
R3535.006-ZP	Right	7.9	M 6	24.6	30	9.4	13.0	4.95	12.6	12.6	33.4	13.0	10	25
R3535.008-ZP	Right	8.6	M 8	31.7	40	11.1	16.0	5.8	15.2	15.2	40.6	14.3	11	48
R3535.010-ZP	Right	10.7	M10	39.7	49	14.1	19.0	6.85	19.8	19.8	51.4	27.0	13	78
R3535.011-ZP	Right	10.7	M10	39.7	49	14.1	19.0	6.85	19.8	19.8	51.4	20.0	13	78
R3535.005-A2	Right	6.35	M 5	23.0	28	7.9	11.1	4.35	11.1	11.9	28.6	11.1	8	17
R3535.006-A2	Right	7.9	M 6	24.6	30	9.4	13.0	4.95	12.6	12.6	33.4	13.0	10	25
R3535.008-A2	Right	8.6	M 8	31.7	40	11.1	16.0	5.8	15.2	15.2	40.6	14.3	11	48
R3535.010-A2	Right	10.7	M10	39.7	49	14.1	19.0	6.85	19.8	19.8	51.4	27.0	13	78
R3535.011-A2	Right	10.7	M10	39.7	49	14.1	19.0	6.85	19.8	19.8	51.4	20.0	13	78

