

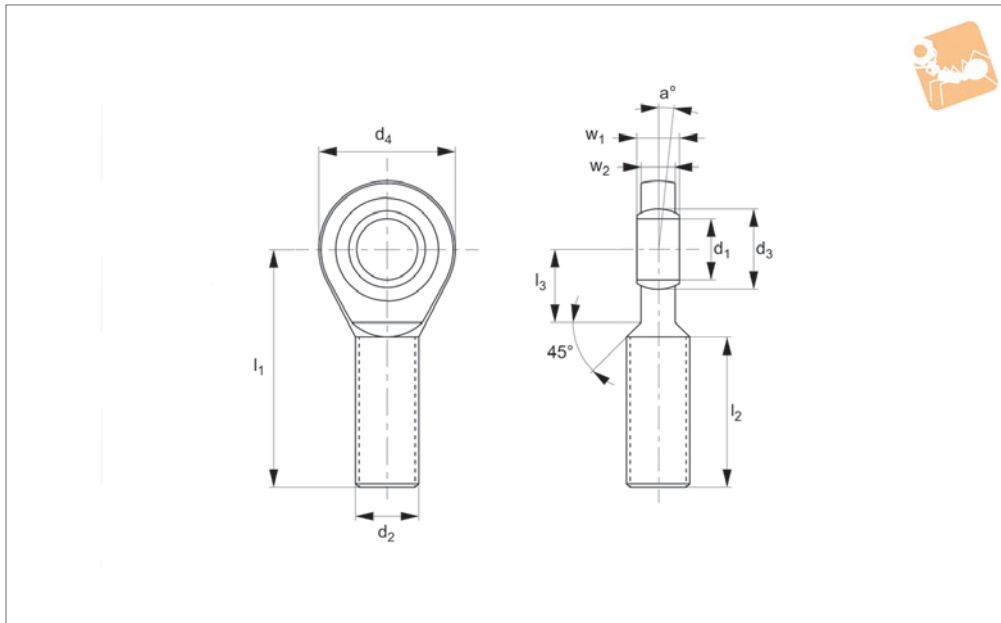


Low Cost Rod End - Male with integral spherical plain bearing

Rod Ends



R3573



ROD ENDS

Material

Housing: Heat treated steel, surface galvanized, free of Cr VI. Outer ring: heat treated steel, hardened, single split, bonded with PTFE fabric. Joint Ball: Ball bearing steel, hardened, ground, polished up to size 12,

hard chromium plated.

Series E,
Maintenance free

Technical Notes

For tolerances see technical pages.
Standard thread is right hand thread.

Important Notes

*Denotes fine pitch thread.

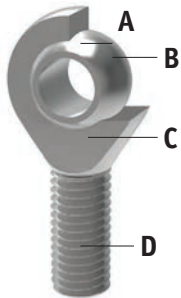
Order No.	Thread hand	d ₁	l ₁	d ₂	d ₃	l ₂	d ₄	a°	l ₃	w ₁	w ₂	Static load C ₀ kN max.	Weight g
R3573.R006	Right	6	36	M6	10	18	21	13	12	6	4.4	6.6	17
R3573.R008	Right	8	42	M8	13	22	24	15	14	8	6	10.3	29
R3573.R010	Right	10	48	M10	16	26	29	12	15	9	7	14.1	51
R3573.R012	Right	12	54	M12	18	28	34	11	18	10	8	19.6	86
R3573.R015	Right	15	63	M14	22	34	40	8	20	12	10	28.8	140
R3573.R017	Right	17	69	M16	25	36	46	10	23	14	11	36.0	190
R3573.R020	Right	20	78	M20x1,5*	29	43	53	9	27	16	13	48.0	310
R3573.R025	Right	25	94	M24x2*	35.5	53	64	7	32	20	17	66.4	560
R3573.R030	Right	30	110	M30x2*	40.7	65	73	6	37	22	19	88	890
R3573.R035	Right	35	140	M36x3*	47	82	82	6	42	25	21	116.8	1400
R3573.R040	Right	40	150	M39x3*	53	86	92	7	48	28	23	144	1800
R3573.R041	Right	40	150	M42x3*	53	86	92	7	48	28	23	144	1850
R3573.R045	Right	45	163	M42x3*	60	94	102	7	52	32	94	192	2600
R3573.R046	Right	45	163	M45x3*	60	94	102	7	52	32	27	192	2660
R3573.R050	Right	50	185	M45x3*	66	107	112	6	60	35	30	232	3400
R3573.R051	Right	50	185	M52x3*	66	107	112	6	60	35	30	232	3500
R3573.R060	Right	60	210	M52x3*	80	115	135	6	75	44	38	360	5900
R3573.R061	Right	60	210	M60x4*	80	115	135	6	75	44	38	360	6020
R3573.R070	Right	70	235	M56x4*	92	125	160	6	87	49	42	488	8200
R3573.R071	Right	70	235	M72x4*	92	125	160	6	87	49	42	488	8380
R3573.R080	Right	80	270	M64x4*	105	140	180	6	100	55	47	600	12000
R3573.R081	Right	80	270	M80x4*	105	140	180	6	100	55	47	600	12200
R3573.L006	Left	6	36	M6	10	18	21	13	12	6	4.4	6.6	17
R3573.L008	Left	8	42	M8	13	22	24	15	14	8	6	10.3	29
R3573.L010	Left	10	48	M10	16	26	29	12	15	9	7	14.1	51
R3573.L012	Left	12	54	M12	18	28	34	11	18	10	8	19.6	86
R3573.L015	Left	15	63	M14	22	34	40	8	20	12	10	28.8	140
R3573.L017	Left	17	69	M16	25	36	46	10	23	14	11	36.0	190
R3573.L020	Left	20	78	M20x1,5*	29	43	53	9	27	16	13	48.0	310
R3573.L025	Left	25	94	M24x2*	35.5	53	64	7	32	20	17	66.4	560
R3573.L030	Left	30	110	M30x2*	40.7	65	73	6	37	22	19	88	890



Order No.	Thread hand	d ₁	l ₁	d ₂	d ₃	l ₂	d ₄	a °	l ₃	w ₁	w ₂	Static load C ₀ kN max.	Weight g
R3573.L035	Left	35	140	M36x3*	47	82	82	6	42	25	21	116.8	1400
R3573.L040	Left	40	150	M39x3*	53	86	92	7	48	28	23	144	1800
R3573.L041	Left	40	150	M42x3*	53	86	92	7	48	28	23	144	1850
R3573.L045	Left	45	163	M42x3*	60	94	102	7	52	32	27	192	2600
R3573.L046	Left	45	163	M45x3*	60	94	102	7	52	32	27	192	2660
R3573.L050	Left	50	185	M45x3*	66	107	112	6	60	35	30	232	3400
R3573.L051	Left	50	185	M52x3*	66	107	112	6	60	35	30	232	3500
R3573.L060	Left	60	210	M52x3*	80	115	135	6	75	44	38	360	5900
R3573.L061	Left	60	210	M60x4*	80	115	135	6	75	44	38	360	6020
R3573.L070	Left	70	235	M56x4*	92	125	160	6	87	49	42	488	8200
R3573.L071	Left	70	235	M72x4*	92	125	160	6	87	49	42	488	8380
R3573.L080	Left	80	270	M64x4*	105	140	180	6	100	55	47	600	12000
R3573.L081	Left	80	270	M80x4*	105	140	180	6	100	55	47	600	12200

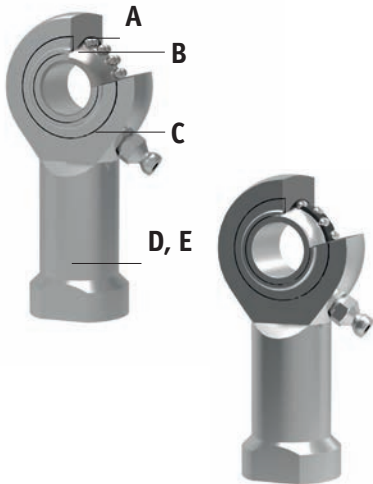
All of our rod ends incorporate either a plain spherical bearing, ball bearing, or roller bearing. Below is an overview of each type.

Plain spherical bearings



- A** Made from Polyamid-PTFE-fibreglass-compound, maintenance free, absorbs any foreign particles
- B** Ball made of bearing steel, hardened, ground, polished and hard chromium plated, ensures reliable corrosion protection
- C** No clearance - radial clearance 0-10µm
- D** All rod ends housings made of forged steel, tempered, extremely high loads resistant

Ball and roller bearings



- A** Radial clearance: 10-30µm, low friction
- B** Inner ring made of bearing steel, hardened ball grooves polished
- C** Shields on both sides protect against rough dirt penetration
- D** All rod ends housings are made of forged steel, case hardened bearing race
- E** Low maintenance due to long-term greasing, especially suitable for high speed large swiveling angles or rotating movements

Rod ends and water



Stainless steel versions

Most of our rod ends are available in stainless steel as standard

High grade AISI 316 stainless steel available on request

Rod Ends from Automation Components

ROD ENDS



Rod ends with integral maintenance-free spherical plain bearings

In many cases heavy-duty rod ends with integral spherical plain bearings are most often used. They are above all used for small swivelling or tilting movements at low speeds. They stand out for their high load capacity and can also be used for shock-like loads. The rod end ball slides on a plastic bearing shell consisting of a glass fibre-filled nylon/teflon compound. This design assures a maintenance-free rod end. Heavy-duty plain bearing rod ends have slight initial movement friction and virtually no clearance. The plastic material used has another advantage in that it can absorb many foreign particles so that no damage can occur. The balls of heavy-duty rod ends with integral spherical plain bearings are hard chrome plated. This reliable corrosion protection ensures that the function of the rod end will not be affected by a corroded ball surface under humid operating conditions.

Rod ends with integral ball bearings

This design is especially suitable for high speeds, large swivelling angles or rotating movements with relatively low or medium loads. Prominent technical features are the low bearing friction, long-time greasing as well as the sealing against some dirt penetration (by means of shields on both sides). Under normal operating conditions the rod ends are maintenance-free.

Greasing nipples are provided for lubrication in case of rough operations and maximum loads. To avoid incompatibility with the production lubrication, we recommend lubrication with a calcium-complex-soap-grease. A special heat treatment procedure gives the rod end housing a raceway hardness adapted to the antifriction bearing, ensuring at the same time high stability with changing loads.

Rod ends with integral roller bearings

This design based on the structure of a self-aligning roller bearing is preferably used for high speed, large tilting angles or rotating movements under high loads. Compared to rod ends with ball bearings, rod ends with self-aligning roller bearings have essentially higher basic load ratings. This design is equipped with a cage to minimise the rolling friction and heat build-up. These rod ends, with long-time lubrication are under normal operating conditions maintenance-free.

Greasing nipples are provided for lubrication in case of rough operations and maximum loads. To avoid incompatibility with the production lubrication, we recommend lubricating with a calcium-complex-soap-grease.

Shields on both sides limit dirt particles from penetrating into the bearing. The rod ends with roller bearings are, subjected to a special heat treatment to obtain a raceway hardness adapted to the antifriction bearings, ensuring at the same time a high stability with changing loads.



Static load capacity C_0 (plain bearings)

The static load capacity C_0 is the radially acting static load which does not cause any permanent deformation of the components when the spherical bearing or rod end is stationary, (i.e. the load condition without pivoting, swivelling or tilting movements).

It is also a precondition here that the operating temperature must be at normal room temperature and the surrounding components must possess sufficient stability.

The values specified in the tables are determined by static tension tests on a representative number of series components at 20°C normal room temperature. The static load capacity may vary with lower or higher temperature depending on the material.

In the case of all rod ends with plain bearings, the static load rating refers to the maximum permissible static load of the rod end housing in a tensile direction up to which no permanent deformation occurs at the weakest housing cross-section. The value in the product tables has a safety factor of 1.2 times the tensile strength of the rod ends housing material.

Static load capacity C_0 (roller and ball bearings)

For our rod ends with roller and ball bearings, the static load rating is the load at which the bearing can operate at room temperature without its performance being impaired as a result of deformations, fracture, or damage to the sliding contact surfaces (max 1/10,000th of the ball diameter).

Dynamic load capacity C (plain bearings)

Dynamic load ratings serve as values for calculation of the service life of dynamically-loaded spherical bearings and rod ends. The values themselves do not provide any information about the effective dynamic load capacity of the spherical bearing or rod end. To obtain this information, it is necessary to take into account the additional influencing factors such as load type, swivel or tilt angle, speed characteristic, max. permitted bearing clearance, max. permitted bearing friction, lubrication conditions and temperature, etc.

Dynamic load capacities depend on the definition used to calculate them. Comparison of values is not always possible owing to the different definitions used by various manufacturers, and because the load capacities are often determined under completely different test conditions.

Dynamic load capacity C (roller and ball bearings)

For our rod ends with roller and ball bearings, the dynamic load capacity is the load at which 90% of a large quantity of identical rod ends reach 1 million revolutions before they fail (due to fatigue of the rolling surfaces).



Low cost rod ends load ratings

The ultimate radial static load rating is measured as the failure point when a load is increasingly applied to a pin through the rod end's bore and pulled straight up while the rod end is held in place. Note that the actual rating is determined by calculating the lowest of the following three values:

1: Raceway material comprehensive strength (R value):

$$R = E \times T \times X$$

2: Rod end head strength (H value, cartridge type construction):

$$H = \left[\left(\frac{T}{2} \sqrt{D^2 - T^2} \right) + \left(\frac{D^2}{2} \times \sin^{-1} \frac{T}{2} \right) - (\text{O.D. of Bearing} \times T) \right] \times X$$

Angle of $\frac{T}{2}$ expressed in radians

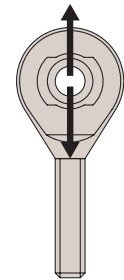
3: Shank strength (S Value) male threaded rod end:

$$S = [(\text{root diameter of thread}^2 \times .78) - (N^2 \times .78)] \times X$$

female threaded rod end:

$$S_2 = [(J^2 \times .78) + (\text{major diameter of thread} \times .78)] \times X$$

- Where: E = Ball diameter
 T = Housing width
 X = Allowable stress
 D = Head diameter
 N = Diameter of drilled hole in shank of male rod end
 J = Shank diameter of female rod end

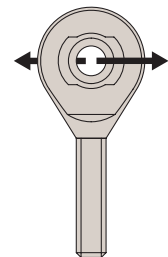


The axial static load capacity is measured as the force required to cause failure via a load parallel to the axis of the bore. Depending on the material types and construction methods, the ultimate axial load is generally 10-20% of the ultimate radial static load. The formula does not account for the bending of the shank due to a moment of force, nor the strength of the stake in cartridge-type construction.

Axial strength (A Value):

$$A = .78 [(E + .176T)^2 - E^2] \times X$$

- Where: X = Allowable stress (see table below)
 E = Ball diameter
 T = Housing width



Material	Allowable stress (PSI)
300 Series Stainless Steel	35,000
Low Carbon Steel	52,000

Rod Ends from Automation Components

ROD ENDS