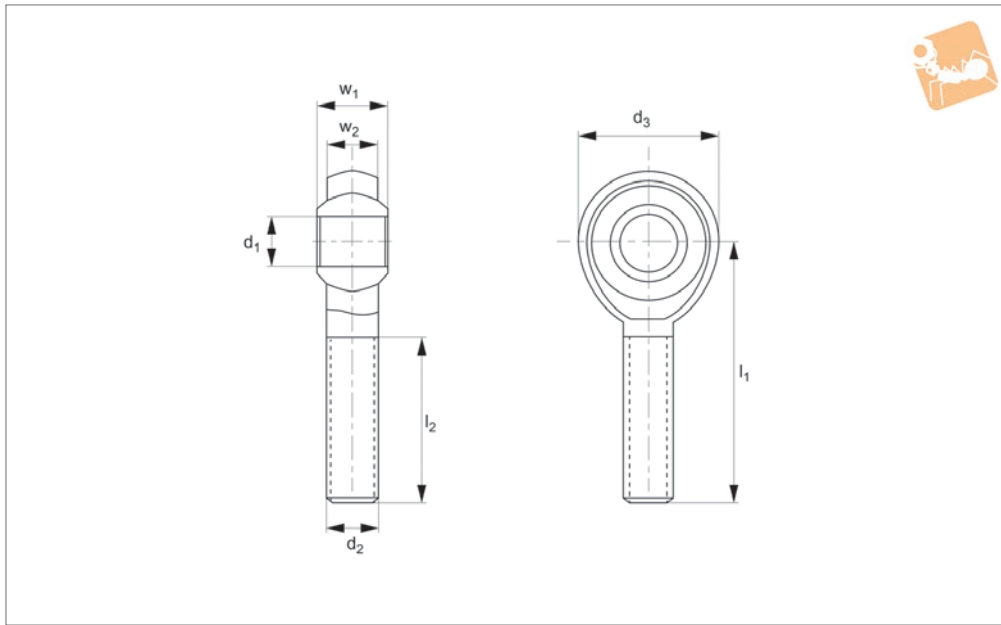




# Imperial Low Cost Rod End

Male, with Nylon bearing race



**R3578.mi**

ROD ENDS

**Material**

Housing: Yellow zinc plated steel.  
Ball: Zinc plated, surface hardened steel.

**Technical Notes**

Features a reinforced nylon race that is

injection molded between the ball and forged housing.  
The nylon race resists vibration, exhibits low hygroscopic properties and helps dampen structural vibration and noise.

As per SAE specification J1120 type B, yellow zinc is not RoHS Compliant.

**Tips**

Standard thread is right hand thread.

Order No.	Thread hand	d <sub>1</sub>	l <sub>1</sub>	d <sub>2</sub>	d <sub>3</sub>	l <sub>2</sub>	w <sub>1</sub>	w <sub>2</sub>
R3578.MIR190	Right	0.190	1.250	10-32	0.625	0.750	0.312	0.250
R3578.MIR250	Right	0.251	1.562	1/4-28	0.750	1.000	0.375	0.281
R3578.MIR313	Right	0.3135	1.875	5/16-24	0.875	1.250	0.437	0.344
R3578.MIR375	Right	0.376	2.000	3/8-24	1.090	1.250	0.500	0.406
R3578.MIR500	Right	0.501	2.437	1/2-20	1.380	1.500	0.625	0.500
R3578.MIR625	Right	0.626	2.625	5/8-18	1.500	1.625	0.750	0.562
R3578.MIR750	Right	0.751	2.875	3/4-16	1.750	1.750	0.875	0.687
R3578.MIL375	Left	0.376	2.000	3/8-24	1.090	1.250	0.500	0.406
R3578.MIL500	Left	0.501	2.437	1/2-20	1.380	1.500	0.625	0.500
R3578.MIL190	Left	0.190	1.250	10-32	0.625	0.750	0.312	0.250
R3578.MIL250	Left	0.251	1.562	1/4-28	0.750	1.000	0.375	0.280
R3578.MIL625	Left	0.626	2.625	5/8-18	1.500	1.625	0.750	0.562
R3578.MIL313	Left	0.3135	1.875	5/16-24	0.875	1.250	0.437	0.344
R3578.MIL750	Left	0.751	2.875	3/4-16	1.750	1.750	0.875	0.687