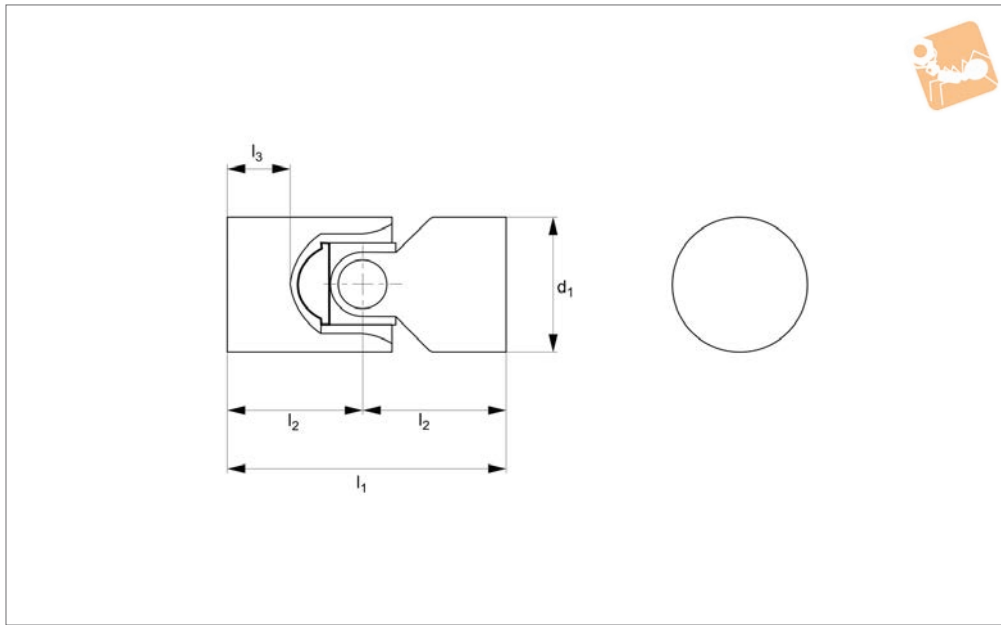




# Stainless 304 Single Universal Joint

Stainless unbored - solid ends

## Universal Joints



**R3695**

UNIVERSAL JOINTS

### Material

Stainless steel (AISI 304), bearing type: Plain bearing.

Maximum bending angle 45° per joint.  
Max. drive speed of joints with journal bearings 1000 rpm.

shafts off-set towards each other.  
Product variations available on request: square bores and hex bores.

### Technical Notes

To DIN 808.

### Tips

Single universal joints are used where

Order No.	Bore dia.	d tol. h4	l <sub>1</sub>	l <sub>2</sub>	l <sub>3</sub>	Weight g
R3695.013	Unbored	13	43	21	14	20
R3695.017	Unbored	17	53	26	18	50
R3695.020	Unbored	20	63	31	21	70
R3695.025	Unbored	25	57	28	16	150
R3695.026	Unbored	25	75	37	25	150
R3695.032	Unbored	32	87	43	26	290
R3695.040	Unbored	40	109	54	34	600
R3695.050	Unbored	50	133	66	42	1160