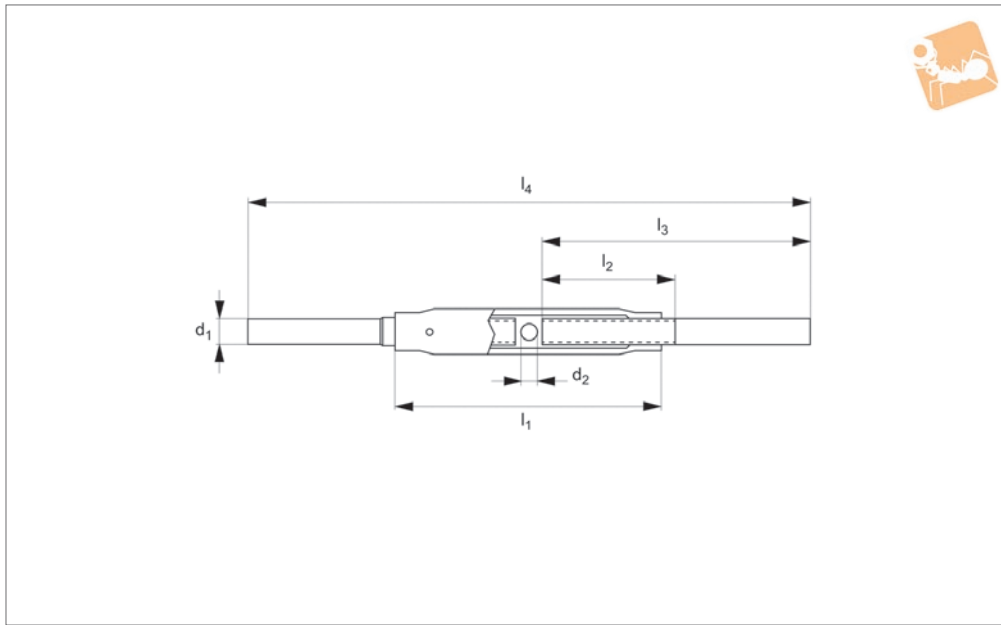
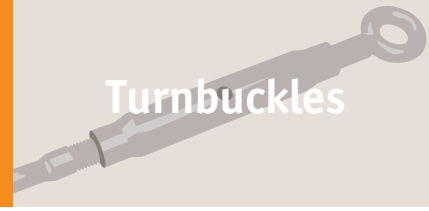




Stud End Pipe Body Turnbuckles

stainless steel

Turnbuckles



R3806

TURNBUCKLES

Material

Stainless steel (A4)

Technical Notes

To DIN 1478.

Tips

Turnbuckles consist of a metal frame with

right hand thread one end and left hand thread the other end. Used for tensioning by rotating turnbuckle body without twisting attached rope or cable.

Only suitable for use in tension.

Important Notes

Turnbuckles are not to be used for lifting.

Order No.	d_1	d_2	l_1	l_2	l_3	l_4 min.	l_4 max.	Weight kg
R3806.006-A4	M 6	6	110	60	120	246	336	0.17
R3806.008-A4	M 8	8	110	65	120	248	333	0.20
R3806.010-A4	M10	8	125	75	150	309	404	0.32
R3806.012-A4	M12	10	125	75	150	311	401	0.45
R3806.016-A4	M16	10	170	100	200	410	530	0.97
R3806.020-A4	M20	12	200	120	220	452	592	1.48
R3806.024-A4	M24	12	255	150	260	533	713	2.62
R3806.030-A4	M30	16	255	160	260	537	697	4.01
R3806.036-A4	M36	16	295	180	300	617	797	6.35