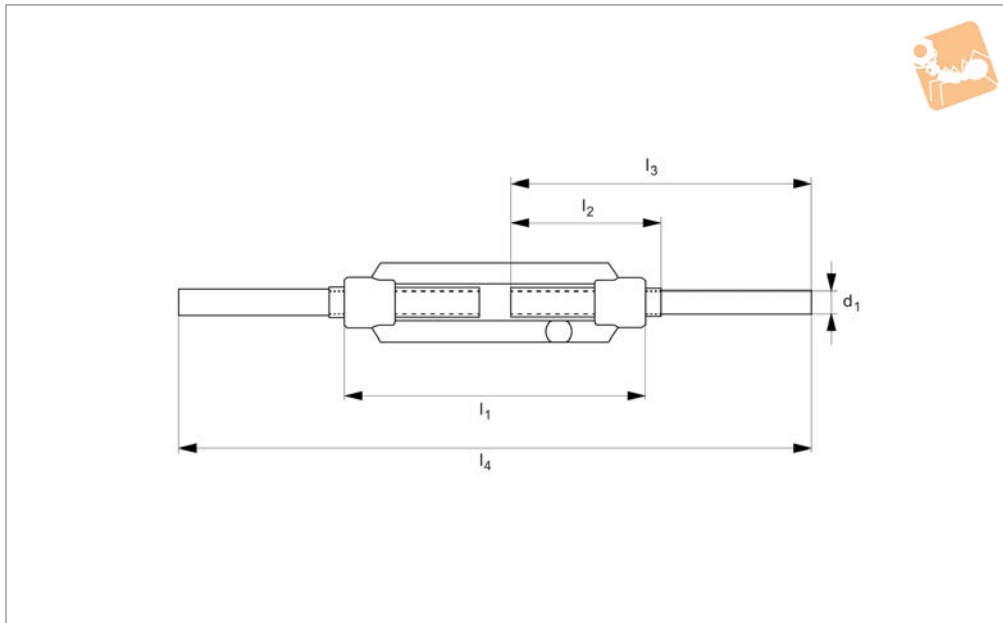
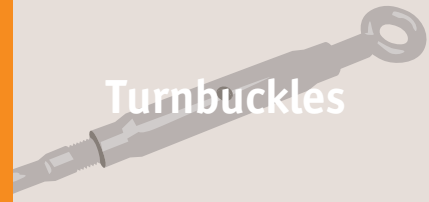


Stub End Turnbuckles

steel

Turnbuckles



R3834

TURNBUCKLES

Material

Steel (1.0037), zinc-plated.
Hot dip galvanized body, available on request providing increased protection against corrosion. Please add -FZ for hot dip galvanized, e.g. R3804.006-FZ.

Tips

Turnbuckles consist of a metal frame with right hand thread one end and left hand thread the other end. Used for tensioning by rotating turnbuckle body without twisting attached rope or cable.

Only suitable for use in tension.

Technical Notes

To DIN 1480 stub end.

Important Notes

Turnbuckles are not to be used for lifting.

Order No.	d ₁	l ₁	l ₂	l ₃	l ₄ min.	l ₄ max.	Weight kg
R3834.006-ZP	M 6	110	60	120	240	320	0.10
R3834.008-ZP	M 8	110	65	120	240	315	0.16
R3834.010-ZP	M10	125	75	150	301	386	0.30
R3834.012-ZP	M12	125	75	150	301	381	0.40
R3834.016-ZP	M16	170	100	200	400	510	0.96
R3834.020-ZP	M20	200	120	220	440	570	1.74
R3834.024-ZP	M24	255	150	260	521	691	2.74
R3834.030-ZP	M30	255	160	260	521	681	4.20
R3834.036-ZP	M36	295	180	300	601	781	7.20
R3834.042-ZP	M42	330	200	350	700	900	10.70
R3834.048-ZP	M48	355	220	380	761	956	17.90
R3834.056-ZP	M56	355	230	380	761	956	20.00