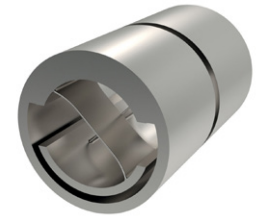




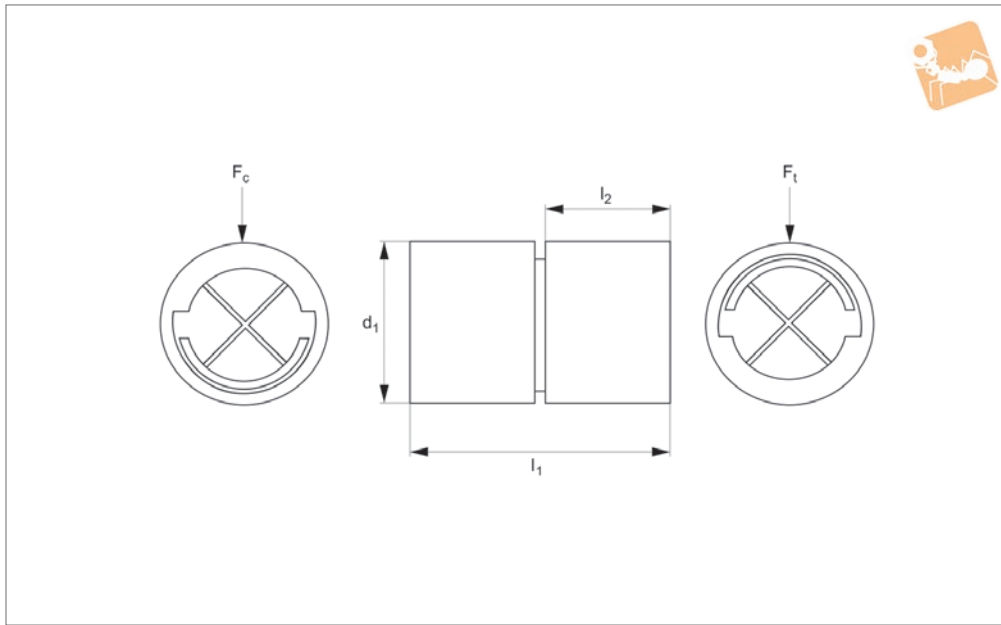
# Flexure Pivot Bearings

single-ended

# Flexure Pivot Bearings



**R4000**



FLEXURE PIVOT BEARINGS

**Material**

Body stainless steel (416), spring and core: 410 and 420 stainless steel (46-56

HRC), braze alloy AMS 4765.

-35°C to + 190°C.

**Technical Notes**

Operating temperature

Order No.	d <sub>1</sub> +0.00 -0.13	l <sub>1</sub> ±0.08	l <sub>2</sub> min.	Torsional spring rate Nmm/°	Load f <sub>c</sub> compression kg max.	Load f <sub>t</sub> tension kg max.	Angular movement max.
R4000.A-10	3,175 (1/8")	5.08	2.24	0.034	0.43	1.72	±15°
R4000.A-20	3,175 (1/8")	5.08	2.24	0.20	4.03	5.76	±7,5°
R4000.A-30	3,175 (1/8")	5.08	2.24	1.67	11.47	11.47	±3,7°
R4000.B-10	3,969 (5/32")	6.35	2.90	0.045	0.64	2.54	±15°
R4000.B-20	3,969 (5/32")	6.35	2.90	0.42	6.21	8.89	±7,5°
R4000.B-30	3,969 (5/32")	6.35	2.90	3.35	17.82	17.82	±3,7°
R4000.C-10	4,763 (3/16")	7.62	3.45	0.08	0.90	3.53	±15°
R4000.C-20	4,763 (3/16")	7.62	3.45	0.68	8.84	12.65	±7,5°
R4000.C-30	4,763 (3/16")	7.62	3.45	5.45	25.31	25.31	±3,7°
R4000.D-10	6,350 (1/4")	10.16	4.67	0.20	1.63	6.44	±15°
R4000.D-20	6,350 (1/4")	10.16	4.67	1.67	15.87	22.68	±7,5°
R4000.D-30	6,350 (1/4")	10.16	4.67	13.39	45.36	45.36	±3,7°
R4000.E-10	7,938 (5/16")	12.70	5.89	0.42	2.58	10.34	±15°
R4000.E-20	7,938 (5/16")	12.70	5.89	3.35	24.95	35.65	±7,5°
R4000.E-30	7,938 (3/10")	12.70	5.89	26.75	71.26	71.26	±3,7°
R4000.F-10	9,525 (3/8")	15.24	7.09	0.73	3.81	15.24	±15°
R4000.F-20	9,525 (3/8")	15.24	7.09	5.45	35.88	51.25	±7,5°
R4000.F-30	9,525 (3/8")	15.24	7.09	45.22	102.51	102.51	±3,7°
R4000.G-10	12,700 (1/2")	20.32	9.50	1.67	6.53	26.03	±15°
R4000.G-20	12,700 (1/2")	20.32	9.50	13.39	63.50	90.72	±7,5°
R4000.G-30	12,700 (1/2")	20.32	9.50	107.19	181.44	181.44	±3,7°
R4000.H-10	15,875 (5/8")	25.40	11.91	3.33	10.43	41.73	±15°
R4000.H-20	15,875 (5/8")	25.40	11.91	26.75	100.29	143.25	±7,5°
R4000.H-30	15,875 (5/8")	25.40	11.91	214.02	286.45	286.45	±3,7°
R4000.I-10	19,050 (3/4")	30.48	14.32	5.45	14.69	58.69	±15°
R4000.I-20	19,050 (3/4")	30.48	14.32	45.22	143.88	205.52	±7,5°
R4000.I-30	19,050 (3/4")	30.48	14.32	368.49	411.00	411.00	±3,7°
R4000.J-10	25,400 (1")	40.64	19.40	13.39	26.85	107.32	±15°
R4000.J-20	25,400 (1")	40.64	19.40	107.19	256.87	366.92	±7,5°
R4000.J-30	25,400 (1")	40.64	19.40	881.66	733.00	733.00	±3,7°