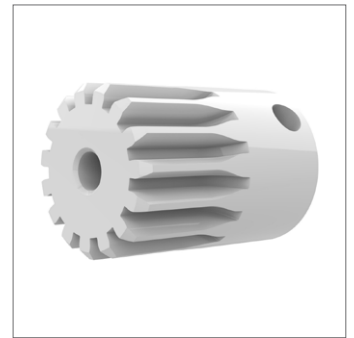
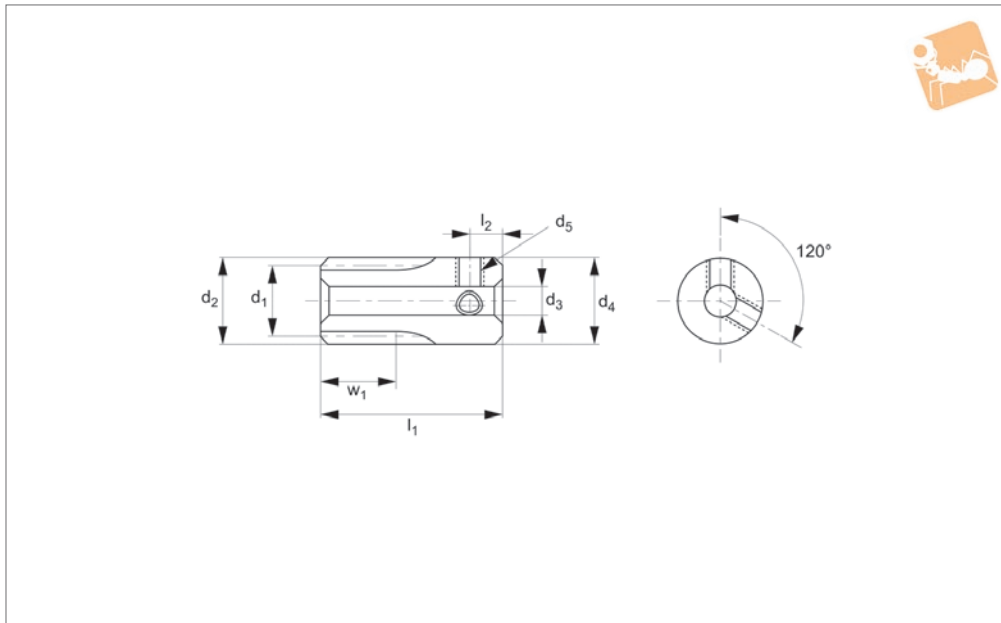




Spur Gears - Module 0.8 - Plastic

white polyacetal - set screw - 14-15 teeth



R5150

STANDARD SPUR GEARS

Material

White polyacetal (PA, also known as polyoxymethylene/POM), machined, with steel set screws. Accuracy to JIS B 1702-1 (ISO) class 9-10.

Technical Notes

20° pressure angle, full depth tooth.

Amount of backlash when assembling gears = 0,016 - 0,048mm.

Tips

For module 0.8 white polyacetal gears with 16-120 teeth, see R5152.

Max. allowable torque (Nm) is based on standard operating conditions (see technical pages) with a safety factor of 1.2. For non standard applications apply a suitable safety factor depending on frequency of use, type of working etc.

Order No.	Module	No. of teeth z	Pitch dia. d ₁	d ₂	w ₁	d ₃ tol. H9	d ₄	l ₁	l ₂	Thread d ₅	Torque Nm max.	Weight g
R5150.080-014	m 0.8	14	11.2	12.8	7	3	12.8	20	3	2xM 3	0.48	3.1
R5150.080-015	m 0.8	15	12.0	13.6	7	3	13.6	20	3	2xM 3	0.51	3.5