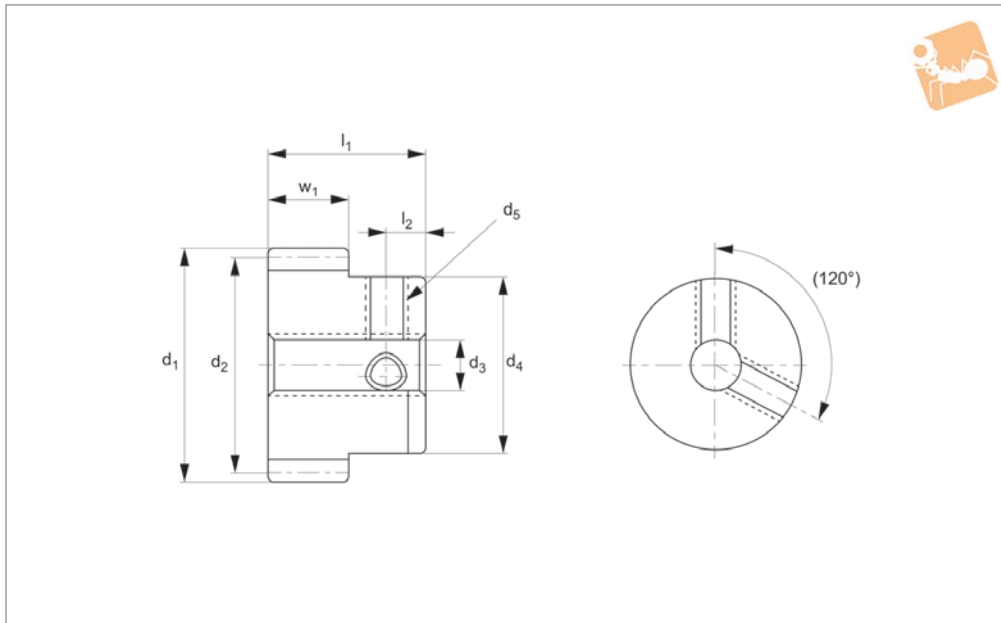




Spur Gears - Module 0.8 - Plastic

white polyacetal - set screw - 16-120 teeth



R5152

STANDARD SPUR GEARS

Material

White polyacetal (PA, also known as polyoxymethylene/POM), machined. Accuracy to JIS B 1702-1 (ISO) class 9-10.

Technical Notes

20° pressure angle, full depth tooth.
Amount of backlash when assembling

gears = 0,016 - 0,048mm.

Tips

For module 0.8 white polyacetal gears with 14-15 teeth, see R5150. For versions of this product without threaded holes, see R5149 & R5150.

Max. allowable torque (Nm) is based on

standard operating conditions (see technical pages) with a safety factor of 1.2. For non standard applications apply a suitable safety factor depending on frequency of use, type of working etc.

| Order No. | Module | No. of teeth z | Pitch dia. d ₁ | d ₂ | w ₁ | d ₃ tol. H9 | d ₄ | l ₁ | l ₂ | Thread d ₅ | Torque Nm max. | Weight g |
|---------------|--------|----------------|---------------------------|----------------|----------------|---------------------------|----------------|----------------|----------------|-----------------------|----------------------|-------------|
| R5152.080-016 | m 0.8 | 16 | 12.8 | 14.4 | 5 | 3 | 10 | 12 | 4 | 2xM 3 | 0.39 | 1.5 |
| R5152.080-018 | m 0.8 | 18 | 14.4 | 16.0 | 5 | 3 | 12 | 12 | 4 | 2xM 3 | 0.44 | 2.1 |
| R5152.080-020 | m 0.8 | 20 | 16.0 | 17.6 | 5 | 3 | 12 | 12 | 4 | 2xM 3 | 0.49 | 2.4 |
| R5152.080-022 | m 0.8 | 22 | 17.6 | 19.2 | 5 | 3 | 15 | 12 | 4 | 2xM 3 | 0.54 | 3.3 |
| R5152.080-024 | m 0.8 | 24 | 19.2 | 20.8 | 5 | 3 | 16 | 12 | 4 | 2xM 3 | 0.59 | 3.9 |
| R5152.080-025 | m 0.8 | 25 | 20.0 | 21.6 | 5 | 3 | 16 | 12 | 4 | 2xM 3 | 0.61 | 4.0 |
| R5152.080-028 | m 0.8 | 28 | 22.4 | 24.0 | 5 | 3 | 20 | 12 | 4 | 2xM 3 | 0.68 | 5.7 |
| R5152.080-030 | m 0.8 | 30 | 24.0 | 25.6 | 5 | 3 | 20 | 12 | 4 | 2xM 3 | 0.73 | 6.1 |
| R5152.080-032 | m 0.8 | 32 | 25.6 | 27.2 | 5 | 3 | 20 | 12 | 4 | 2xM 3 | 0.78 | 6.6 |
| R5152.080-036 | m 0.8 | 36 | 28.8 | 30.4 | 5 | 4 | 22 | 12 | 4 | 2xM 4 | 0.88 | 8.1 |
| R5152.080-040 | m 0.8 | 40 | 32.0 | 33.6 | 5 | 4 | 22 | 12 | 4 | 2xM 4 | 0.98 | 9.2 |
| R5152.080-045 | m 0.8 | 45 | 36.0 | 37.6 | 5 | 4 | 22 | 12 | 4 | 2xM 4 | 1.10 | 10.7 |
| R5152.080-048 | m 0.8 | 48 | 38.4 | 40.0 | 5 | 4 | 22 | 12 | 4 | 2xM 4 | 1.17 | 11.7 |
| R5152.080-050 | m 0.8 | 50 | 40.0 | 41.6 | 5 | 4 | 22 | 12 | 4 | 2xM 4 | 1.22 | 12.4 |
| R5152.080-056 | m 0.8 | 56 | 44.8 | 46.4 | 5 | 4 | 22 | 12 | 4 | 2xM 4 | 1.37 | 14.6 |
| R5152.080-060 | m 0.8 | 60 | 48.0 | 49.6 | 5 | 4 | 22 | 12 | 4 | 2xM 4 | 1.46 | 16.3 |
| R5152.080-064 | m 0.8 | 64 | 51.2 | 52.8 | 5 | 4 | 22 | 12 | 4 | 2xM 4 | 1.56 | 18.0 |
| R5152.080-070 | m 0.8 | 70 | 56.0 | 57.6 | 5 | 5 | 24 | 12 | 4 | 2xM 4 | 1.71 | 21.5 |
| R5152.080-072 | m 0.8 | 72 | 57.6 | 59.2 | 5 | 5 | 24 | 12 | 4 | 2xM 4 | 1.76 | 22.5 |
| R5152.080-080 | m 0.8 | 80 | 64.0 | 65.6 | 5 | 5 | 24 | 12 | 4 | 2xM 4 | 1.95 | 26.8 |
| R5152.080-090 | m 0.8 | 90 | 72.0 | 73.6 | 5 | 5 | 24 | 12 | 4 | 2xM 4 | 2.20 | 32.8 |
| R5152.080-100 | m 0.8 | 100 | 80.0 | 81.6 | 5 | 5 | 24 | 12 | 4 | 2xM 4 | 2.44 | 39.5 |
| R5152.080-120 | m 0.8 | 120 | 96.0 | 97.6 | 5 | 5 | 24 | 12 | 4 | 2xM 4 | 2.93 | 55.1 |