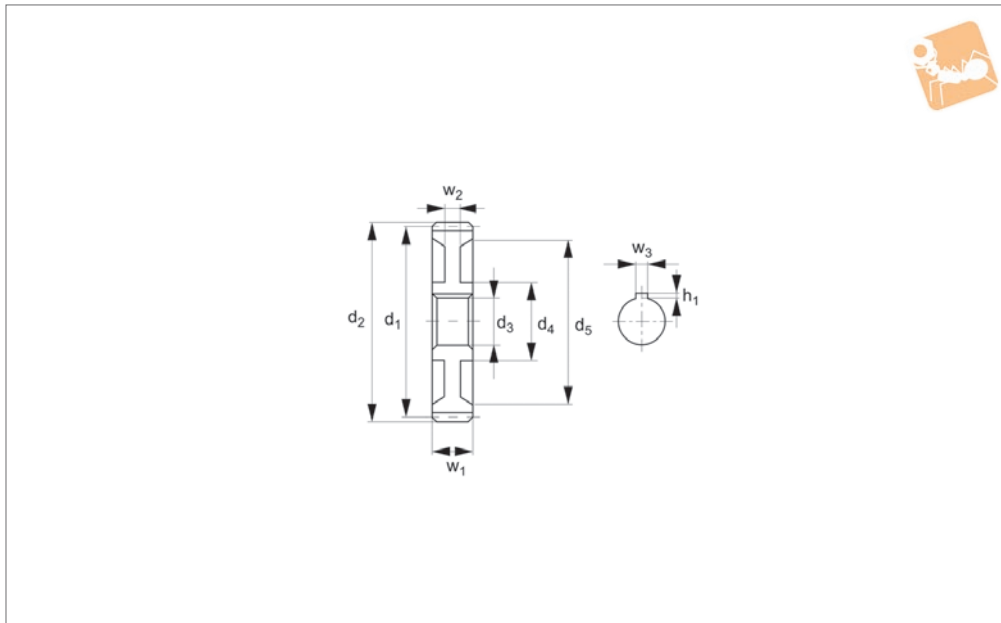




Spur Gears - Module 1.5

carbon steel - 60-100 teeth



R5195

STANDARD SPUR GEARS

Material

Carbon steel (ISO C45).
Accuracy to JIS B 1702-1 (ISO) class 8-9.

Technical Notes

20° pressure angle, full depth tooth.
Amount of backlash when assembling gears = 0,06 - 0,15mm. This is a reduced

weight version of the hubless gears R5194.

Tips

For module 1.5 hubless steel gears with 60-100 teeth see R5194. For gears with 8-10 teeth see R5198 & R5199, for 12-14 teeth see R5200, for gears with 15-100 teeth See R5201 & R5194 (reduced weight

version).

Max. allowable torque (Nm) is based on standard operating conditions (see technical pages) with a safety factor of 1.2. For non standard applications apply a suitable safety factor depending on frequency of use, type of working etc.

Order No.	Module	No. of teeth z	Pitch dia. d ₁	d ₂	w ₁	d ₃ tol. H7	d ₄	d ₅	Keyway (w ₃ x h ₁)	Torque Nm max.	w ₂	Weight g
R5195.150-060-40	m 1.5	60	90	93	16	20	40	76	6×2,8	114.60	8	568.5
R5195.150-060-50	m 1.5	60	90	93	16	25	50	76	8×3,3	114.60	8	589.4
R5195.150-064-40	m 1.5	64	96	99	16	20	40	82	6×2,8	123.19	8	630.0
R5195.150-070-40	m 1.5	70	105	108	16	20	40	91	6×2,8	136.56	8	740.0
R5195.150-072-40	m 1.5	72	108	111	16	20	40	94	6×2,8	141.34	8	770.0
R5195.150-072-50	m 1.5	72	108	111	16	25	50	94	8×3,3	141.34	8	790.0
R5195.150-080-40	m 1.5	80	120	123	16	20	40	106	6×2,8	160.43	8	930.0
R5195.150-080-50	m 1.5	80	120	123	16	25	50	106	8×3,3	160.43	8	950.0
R5195.150-100-40	m 1.5	100	150	153	16	20	40	136	6×2,8	206.27	8	1380.0
R5195.150-100-50	m 1.5	100	150	153	16	25	50	136	8×3,3	206.27	8	1400.0